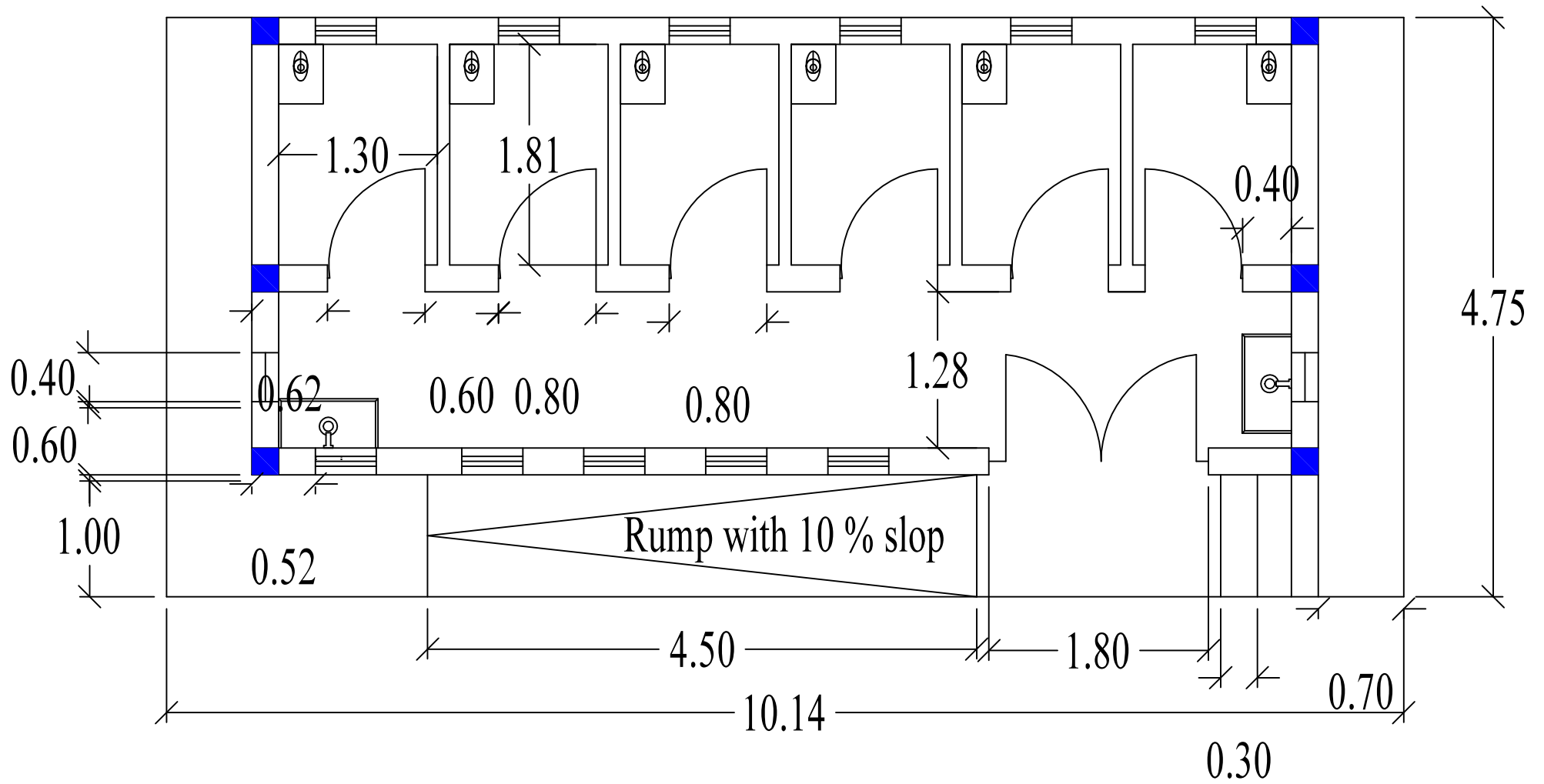
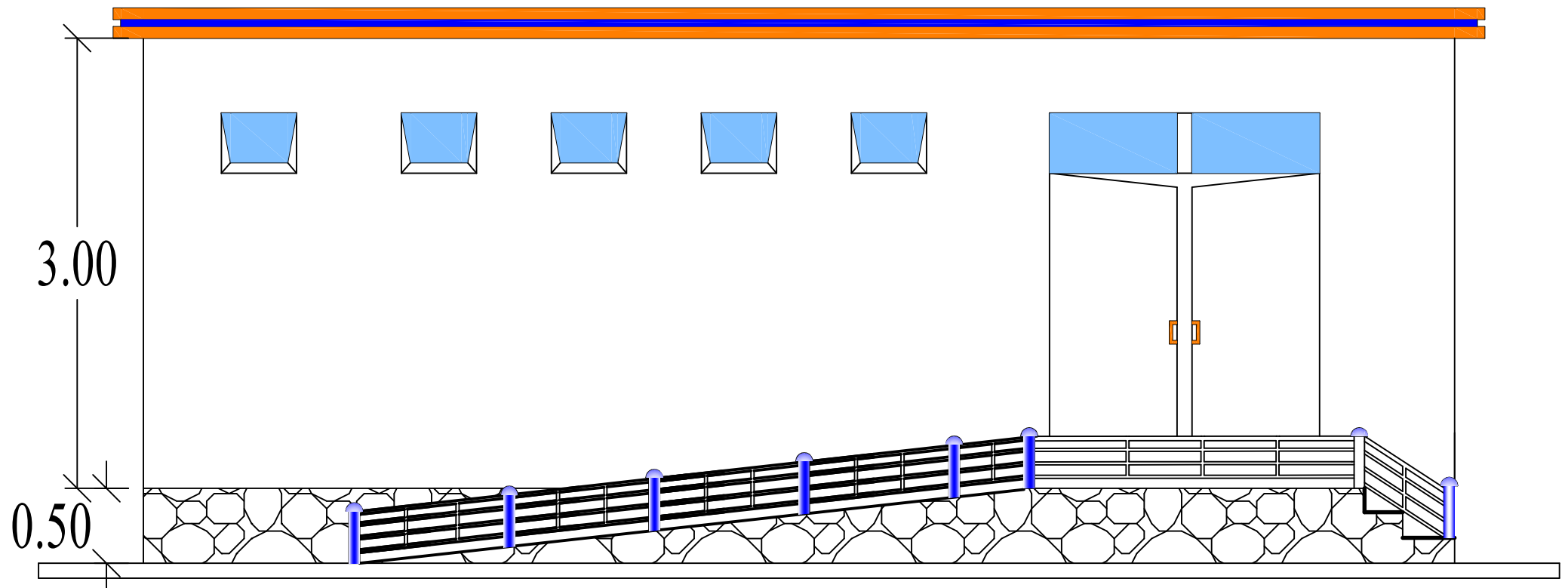


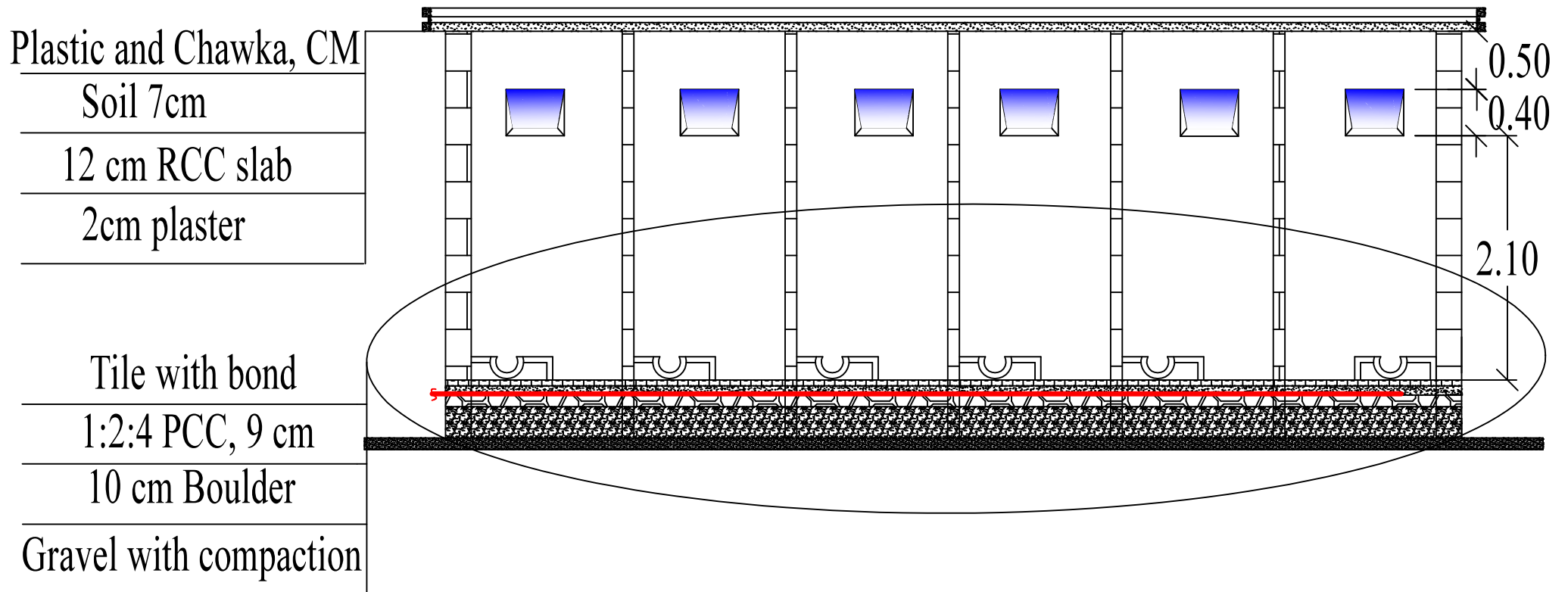
Latrine block Plan .



Latrine block front view.



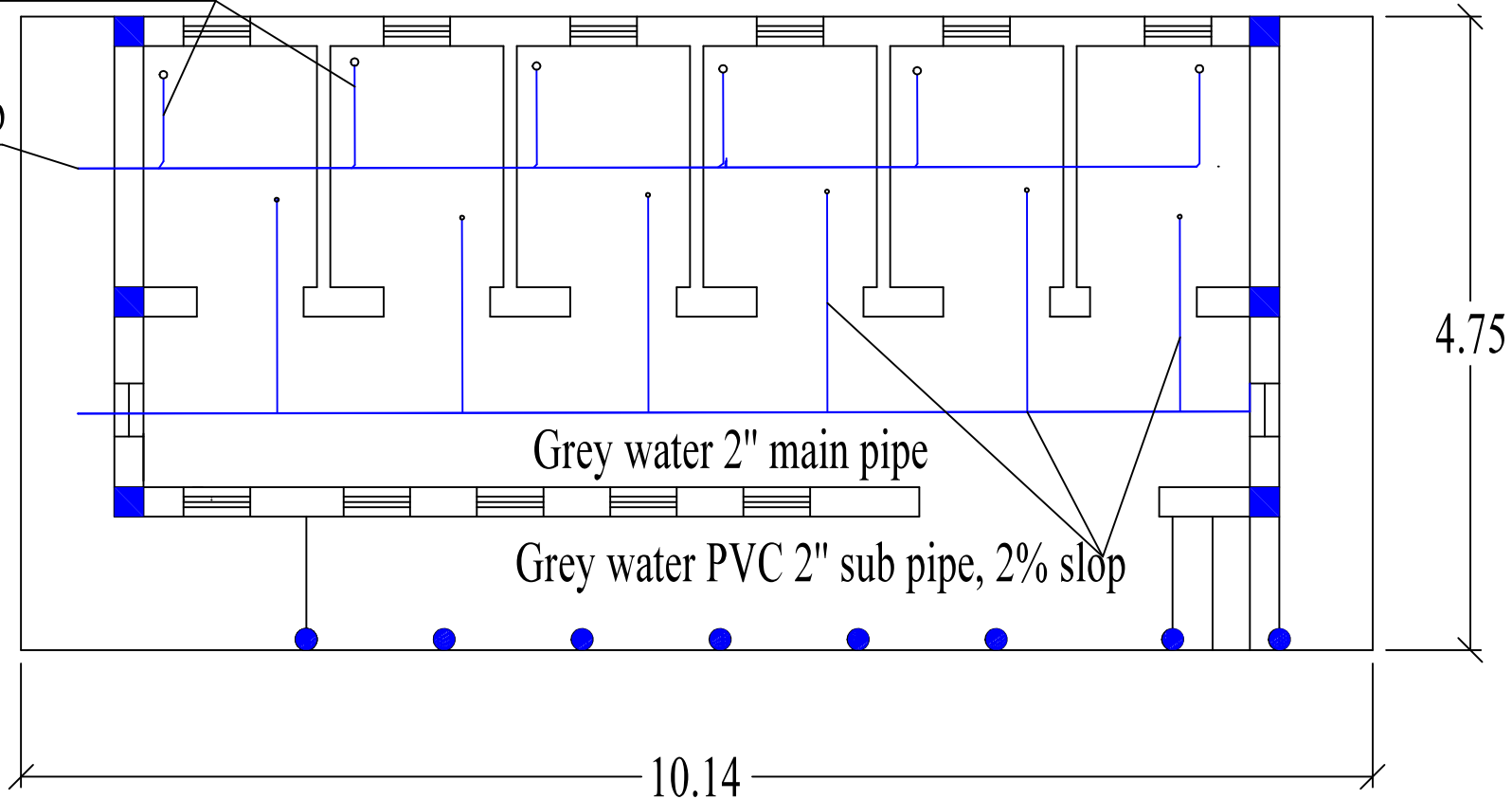
Latrine block front view.



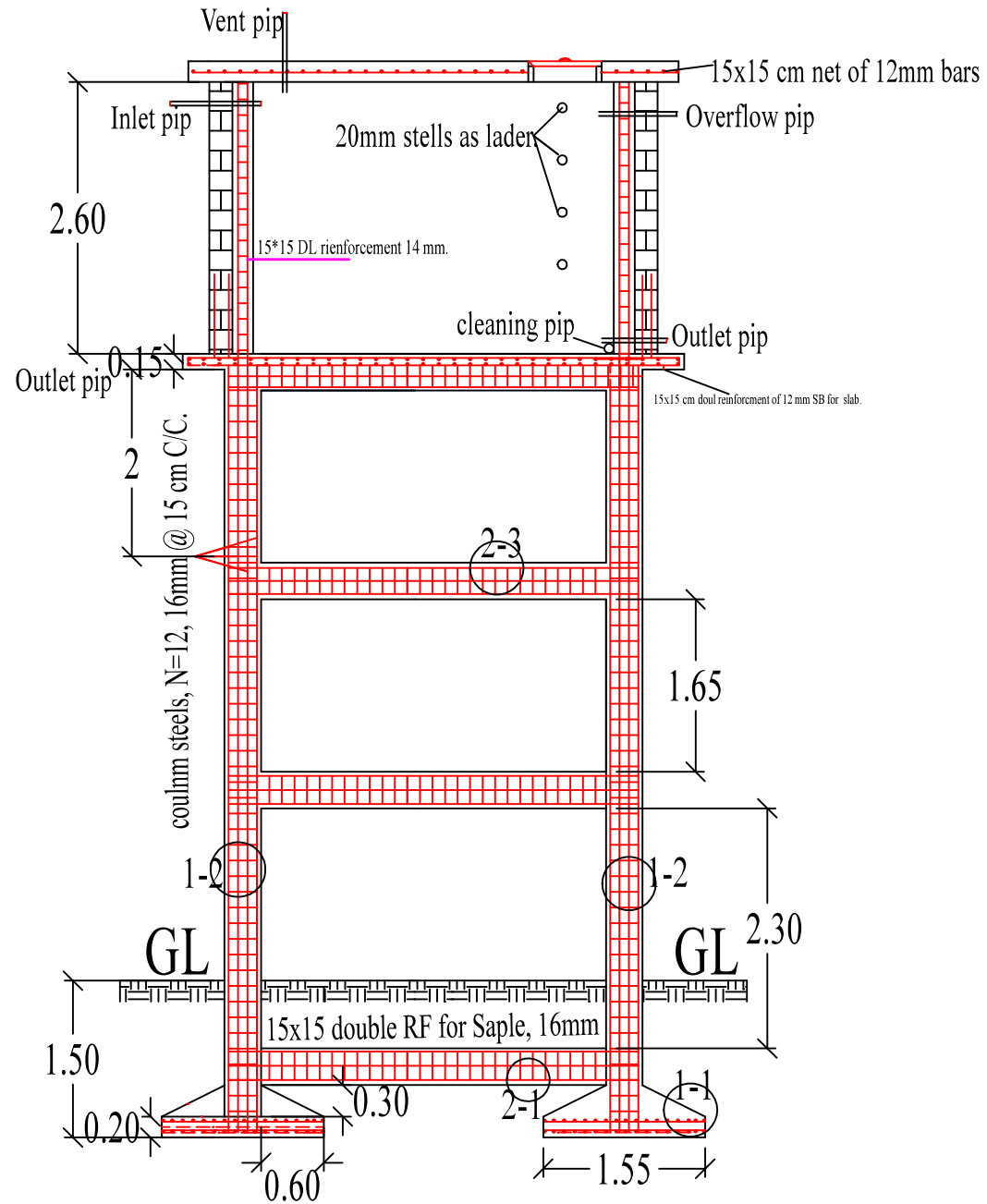
Plumbing Plan

PVC 3" sub pipes

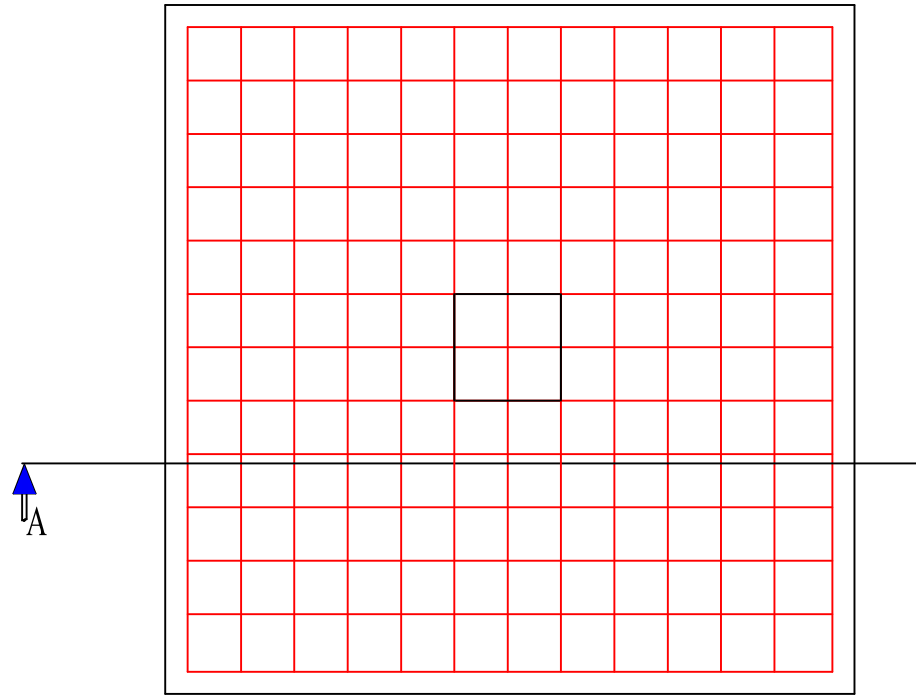
pvc 5" wc main pipe, 3% slop



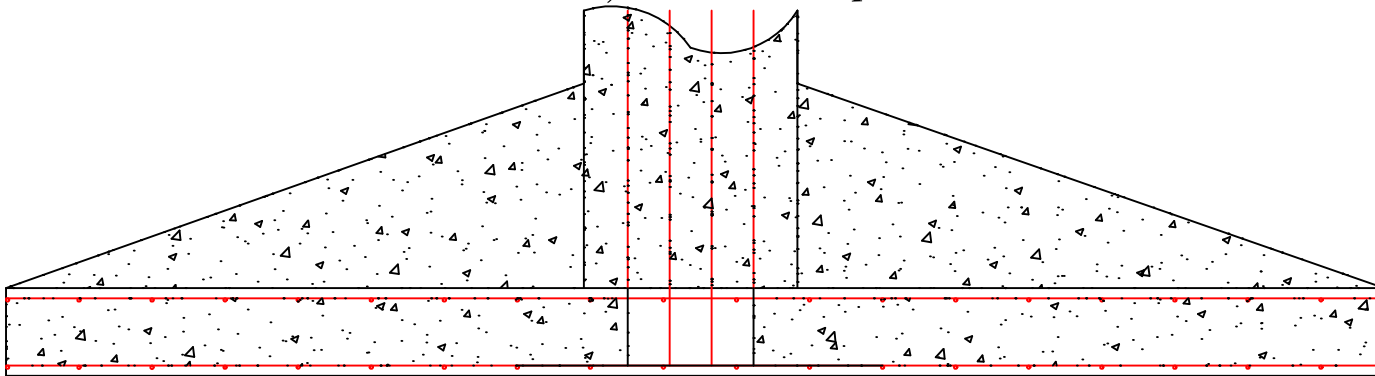
RCC reservoir section



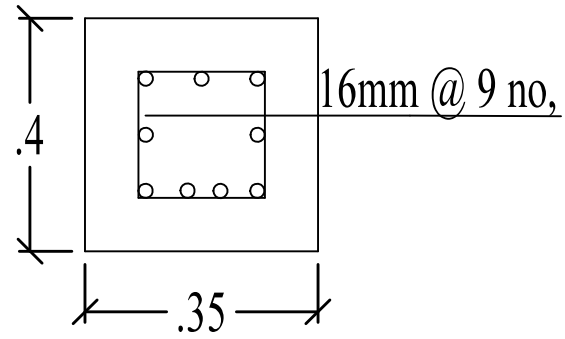
1-1, 15x15 double RF for Saple, 16mm



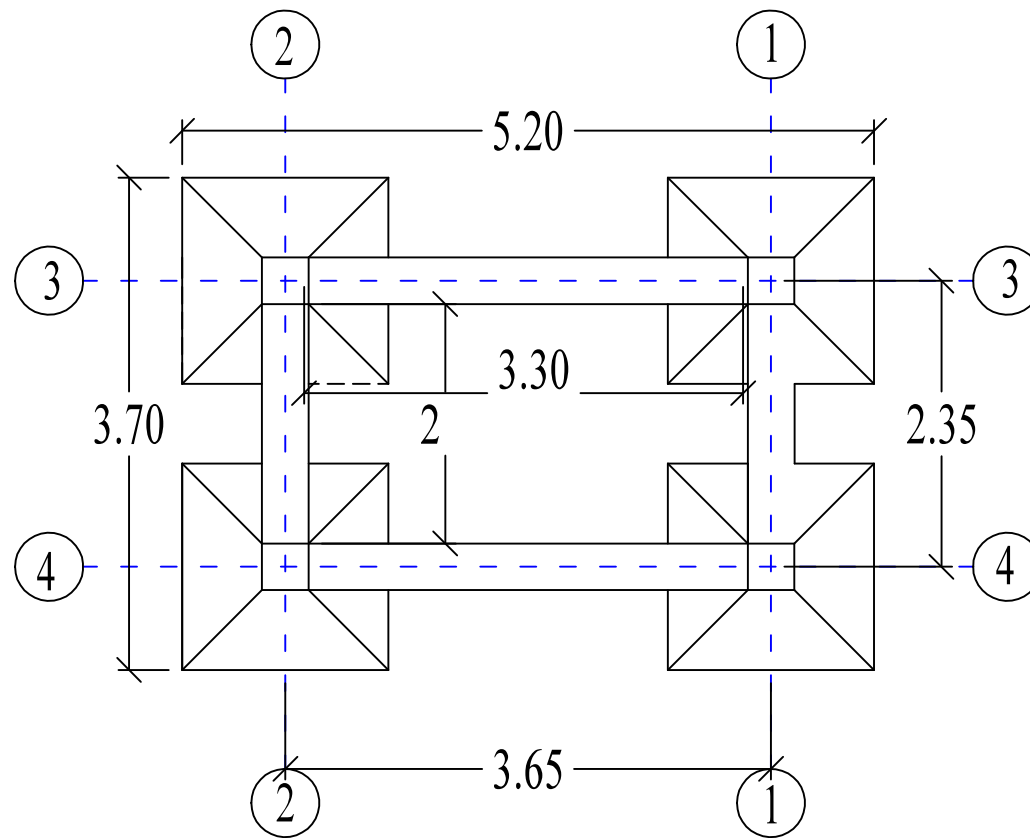
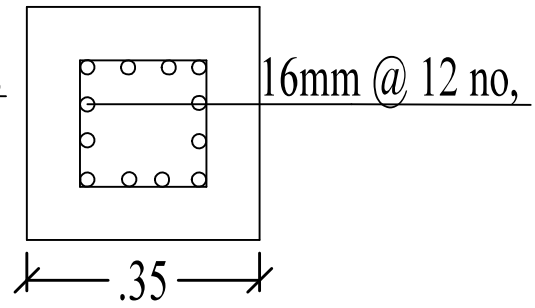
1-1, Section of saple



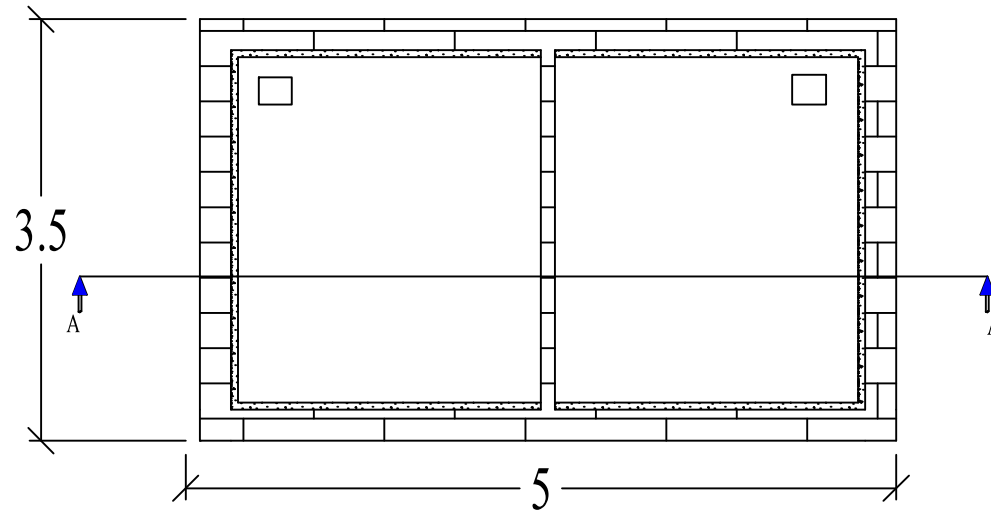
2-2, Section, Beam



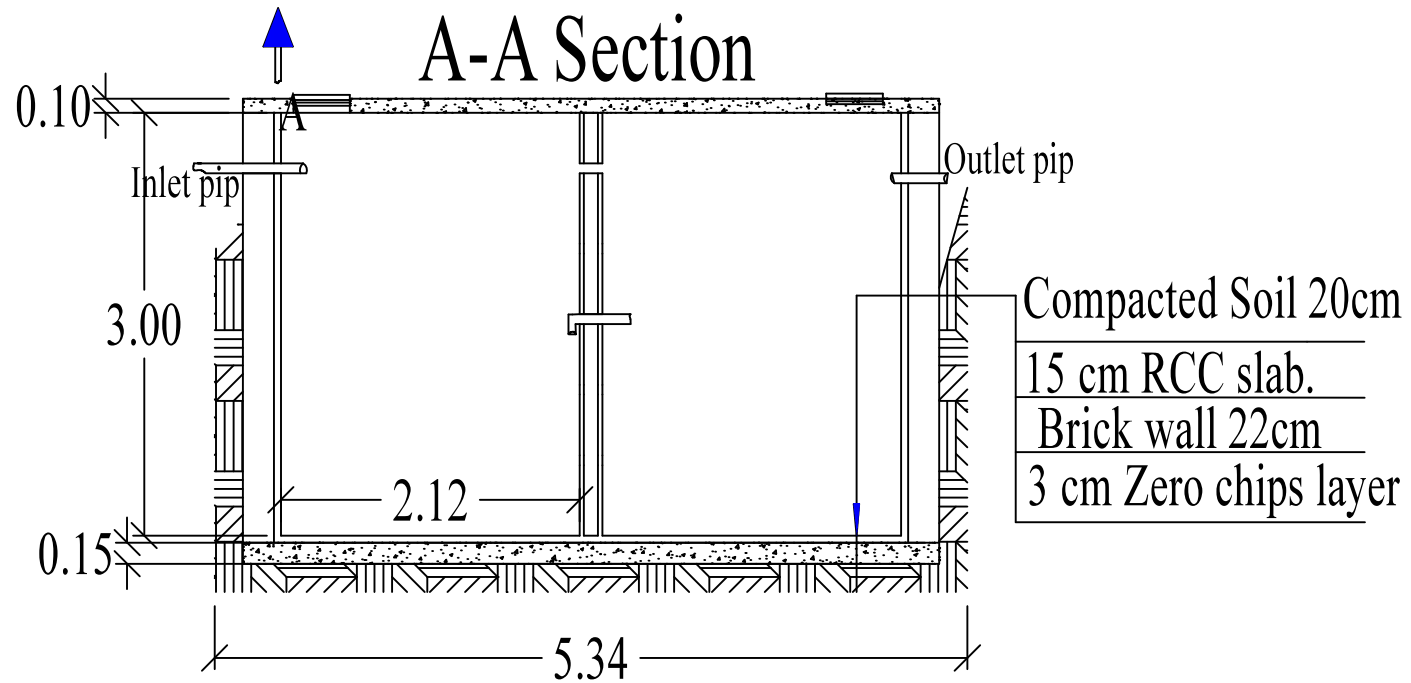
1-2, Section, Column



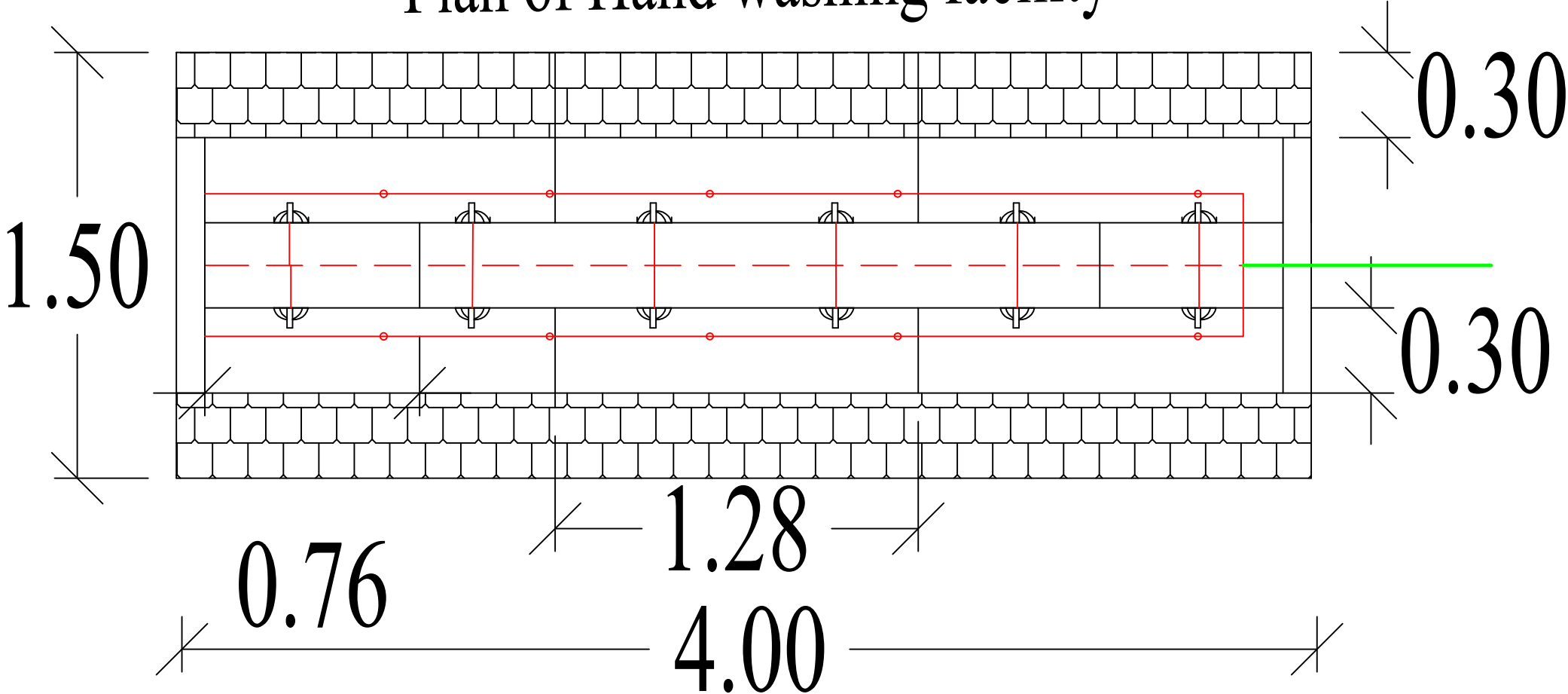
plan for Septic tank



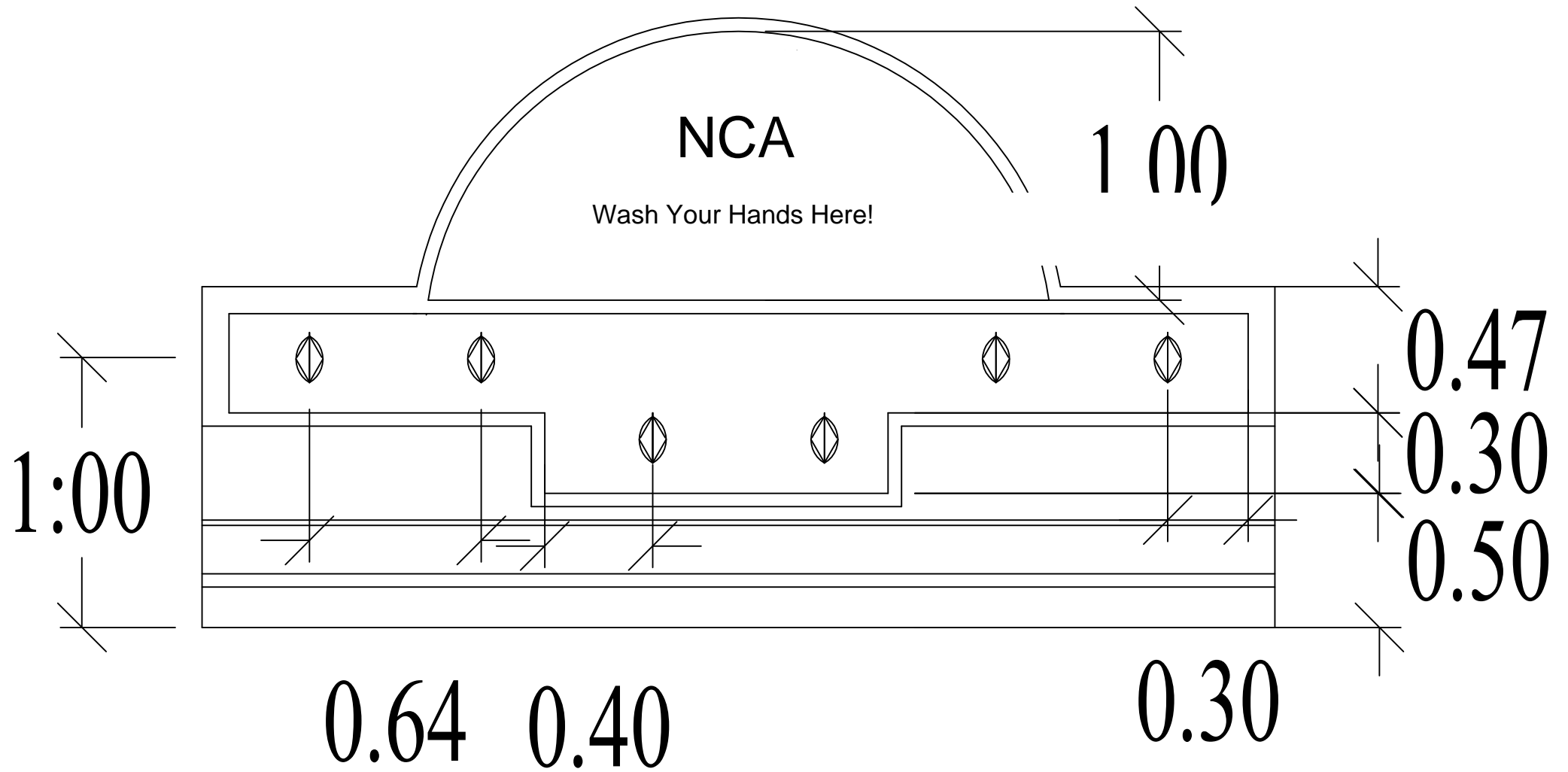
A-A Section



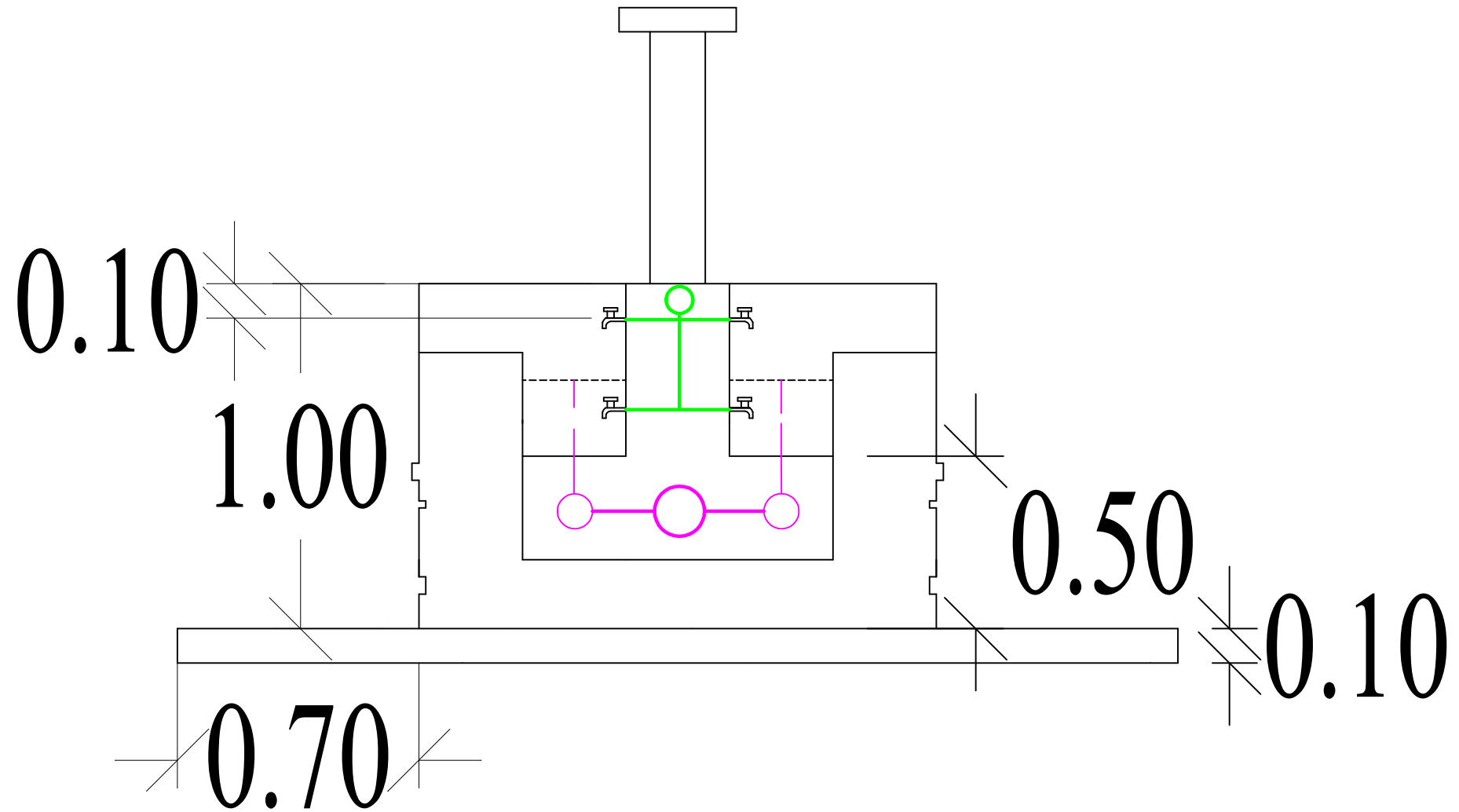
Plan of Hand washing facility



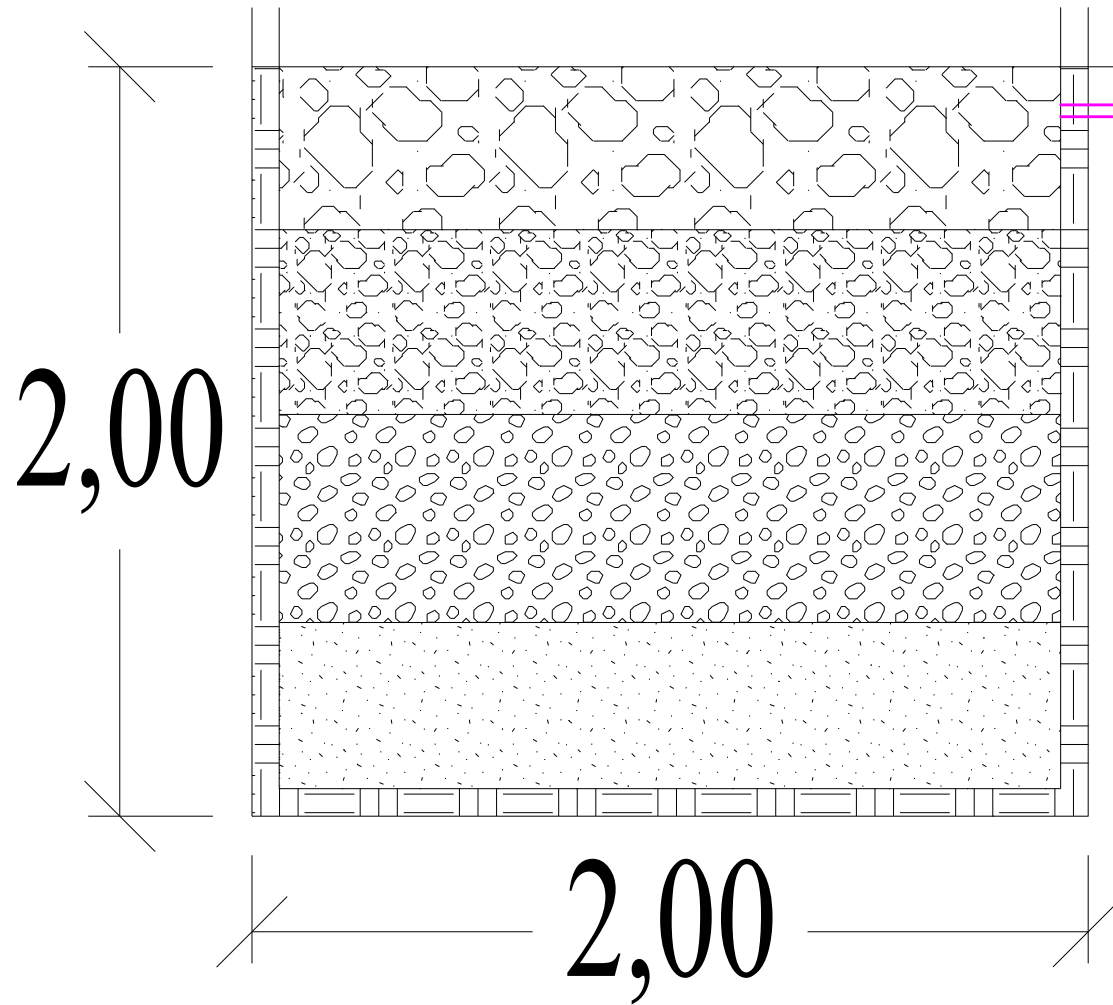
Hand washing facility view.



Section of hand washing facility



Soaket pit section.



PVC pipe for Grey wter T.

10 cm Boulder

5 cm gravel pack

2-3 cm Gravel

mm, Sand

View of the ladder.

I beam and L section with profile

