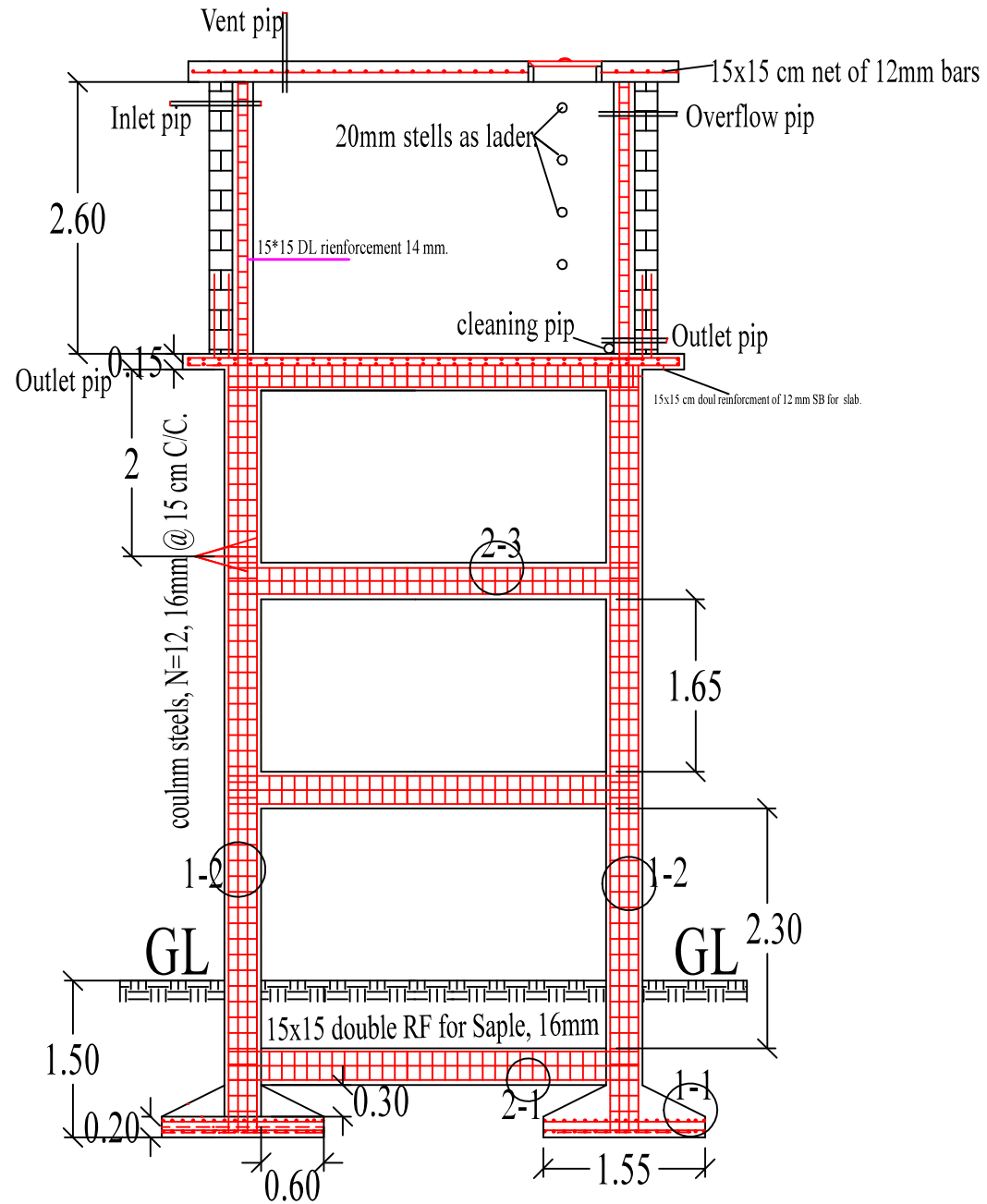
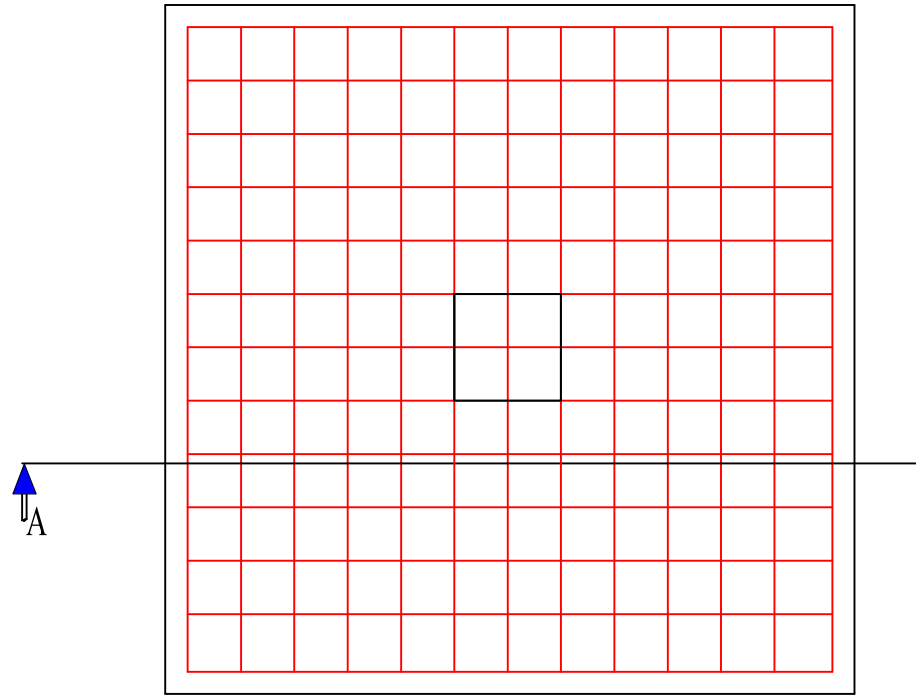


RCC reservoir section

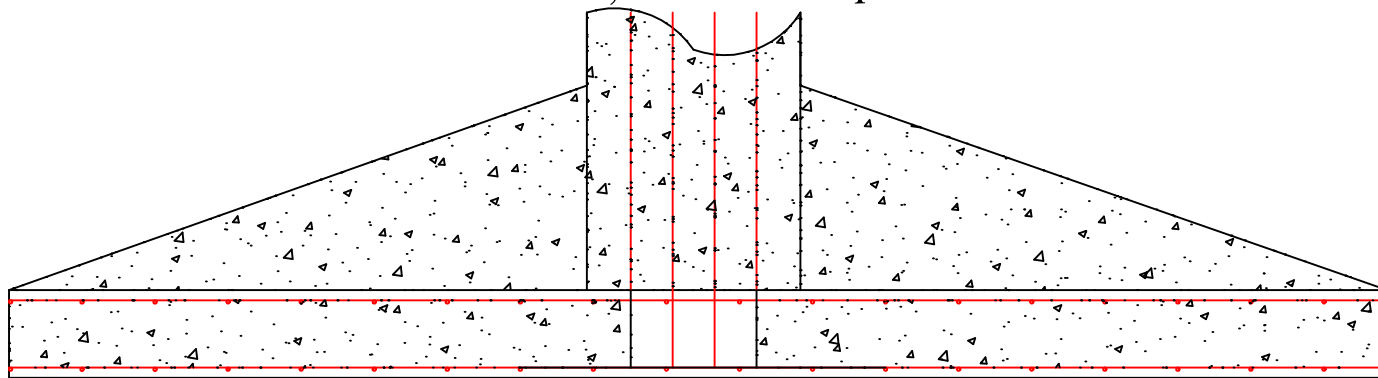


Design by: Farhad Aaqeb.

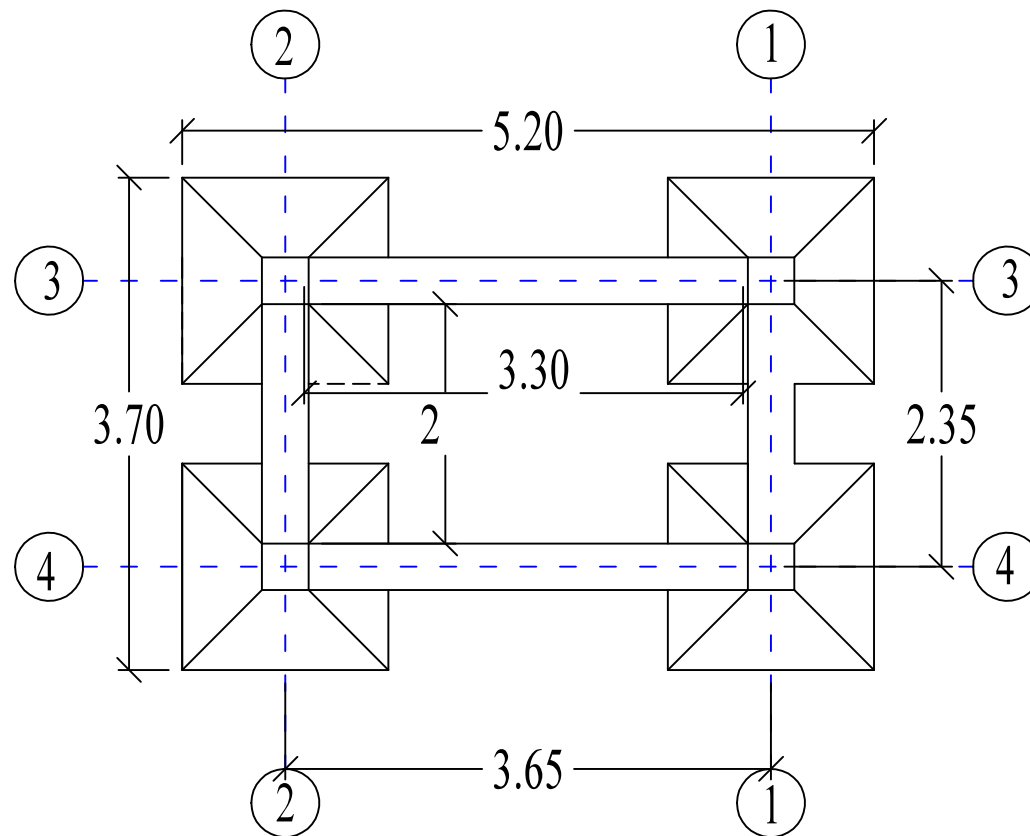
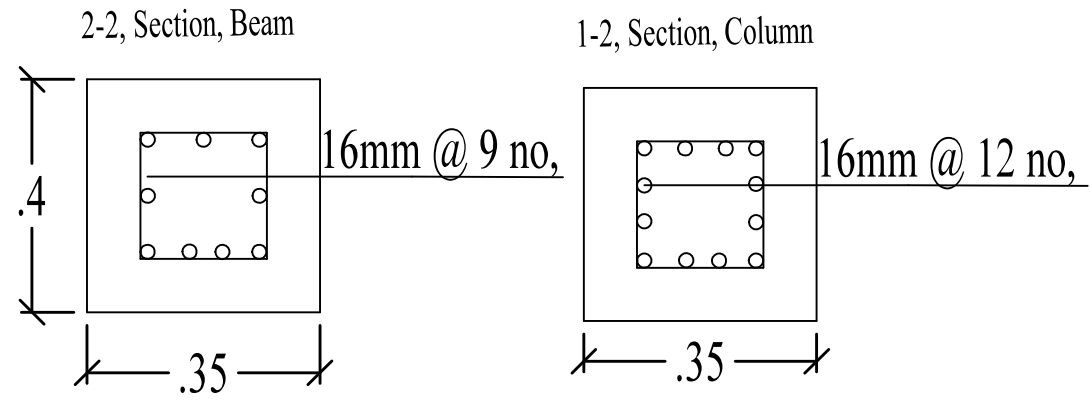
1-1, 15x15 double RF for Saple, 16mm



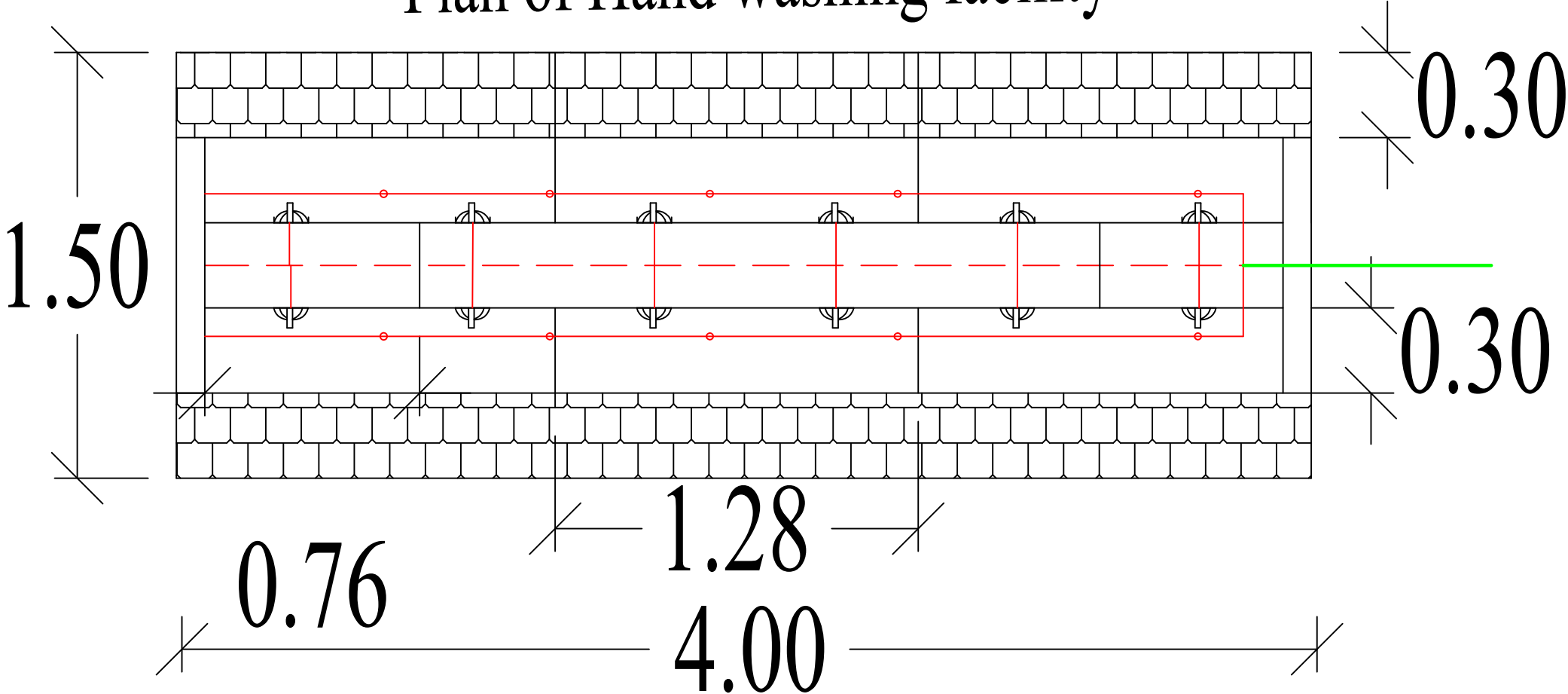
1-1, Section of saple



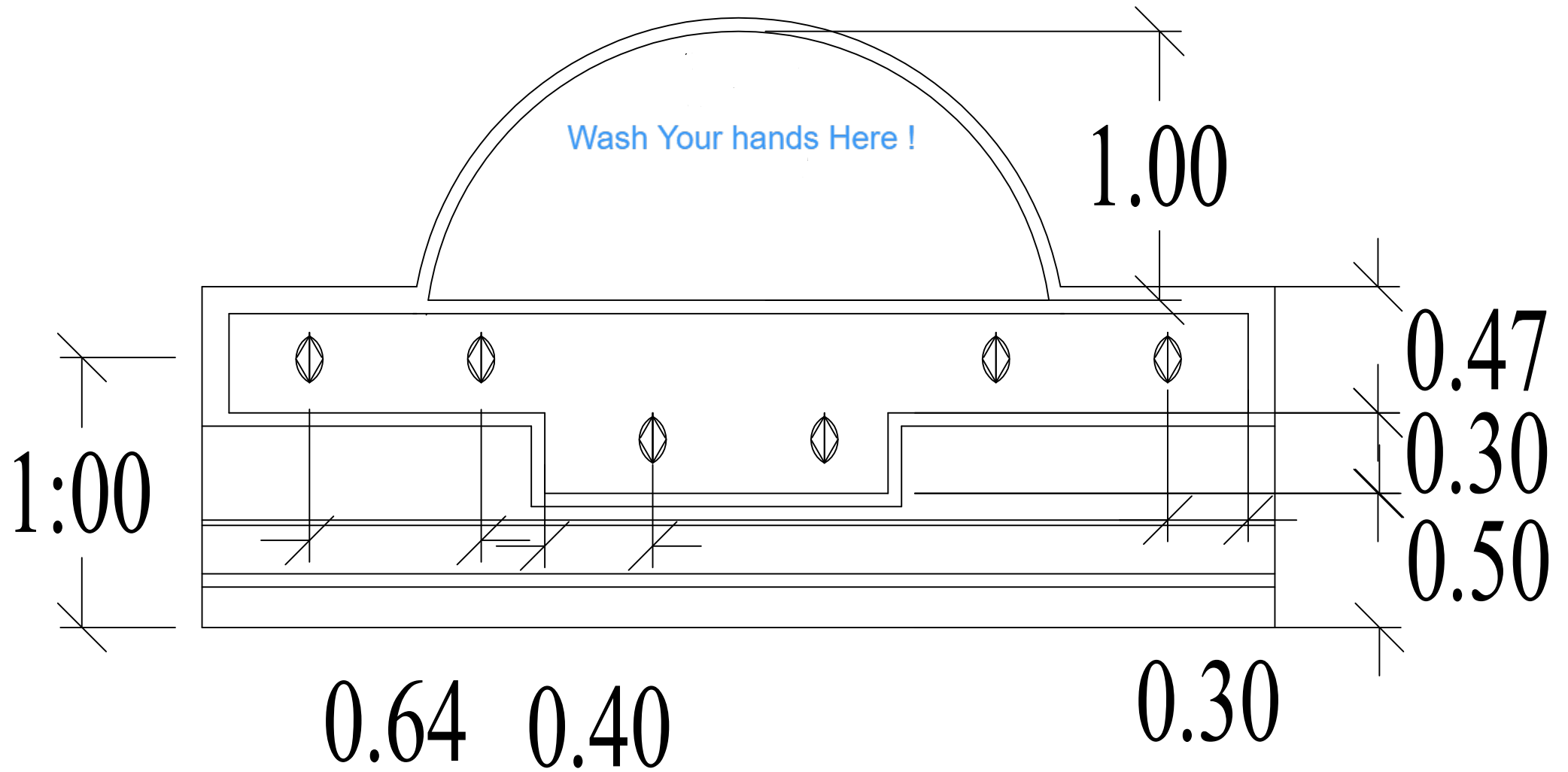
Designed By: Farhad Aaqeb



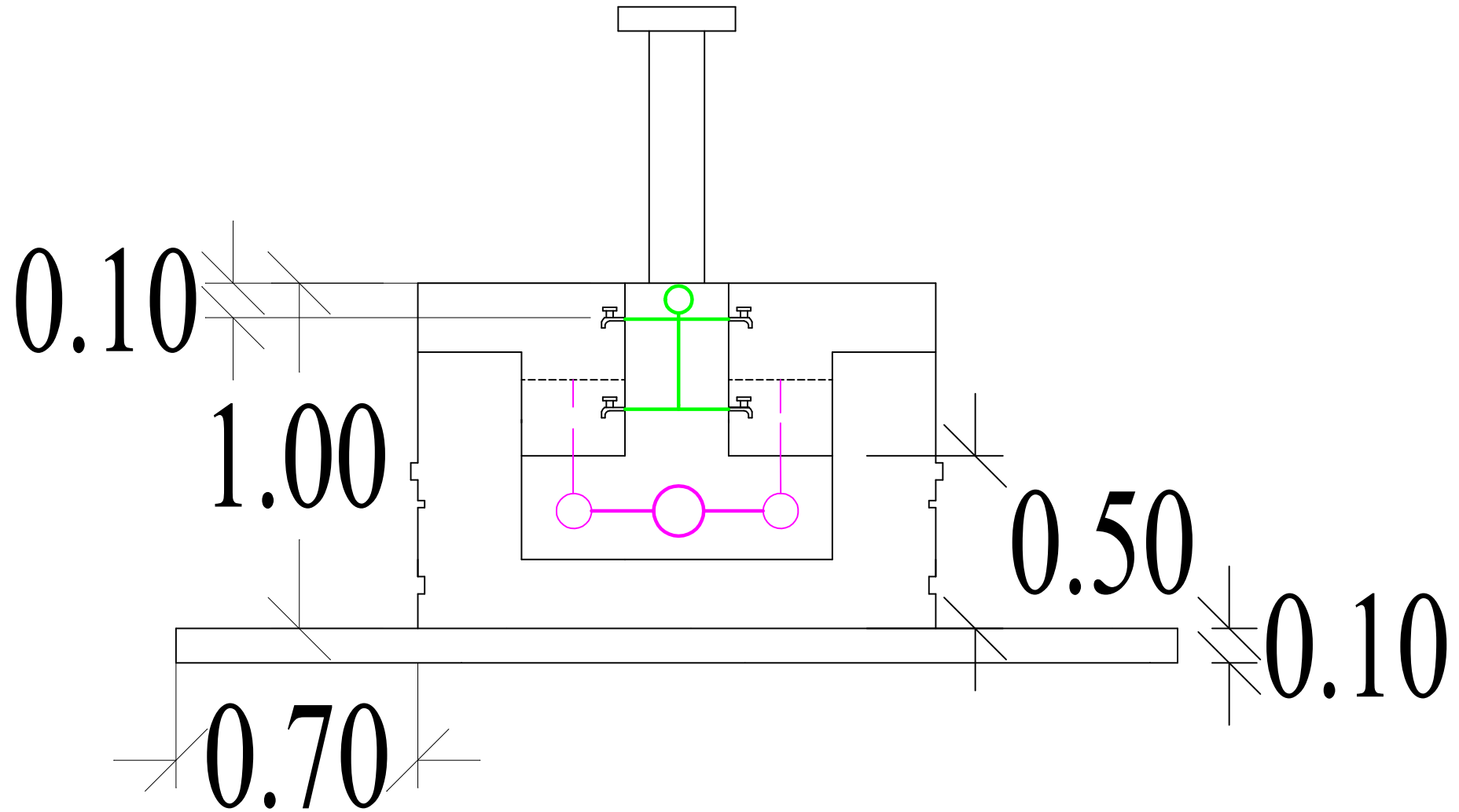
Plan of Hand washing facility



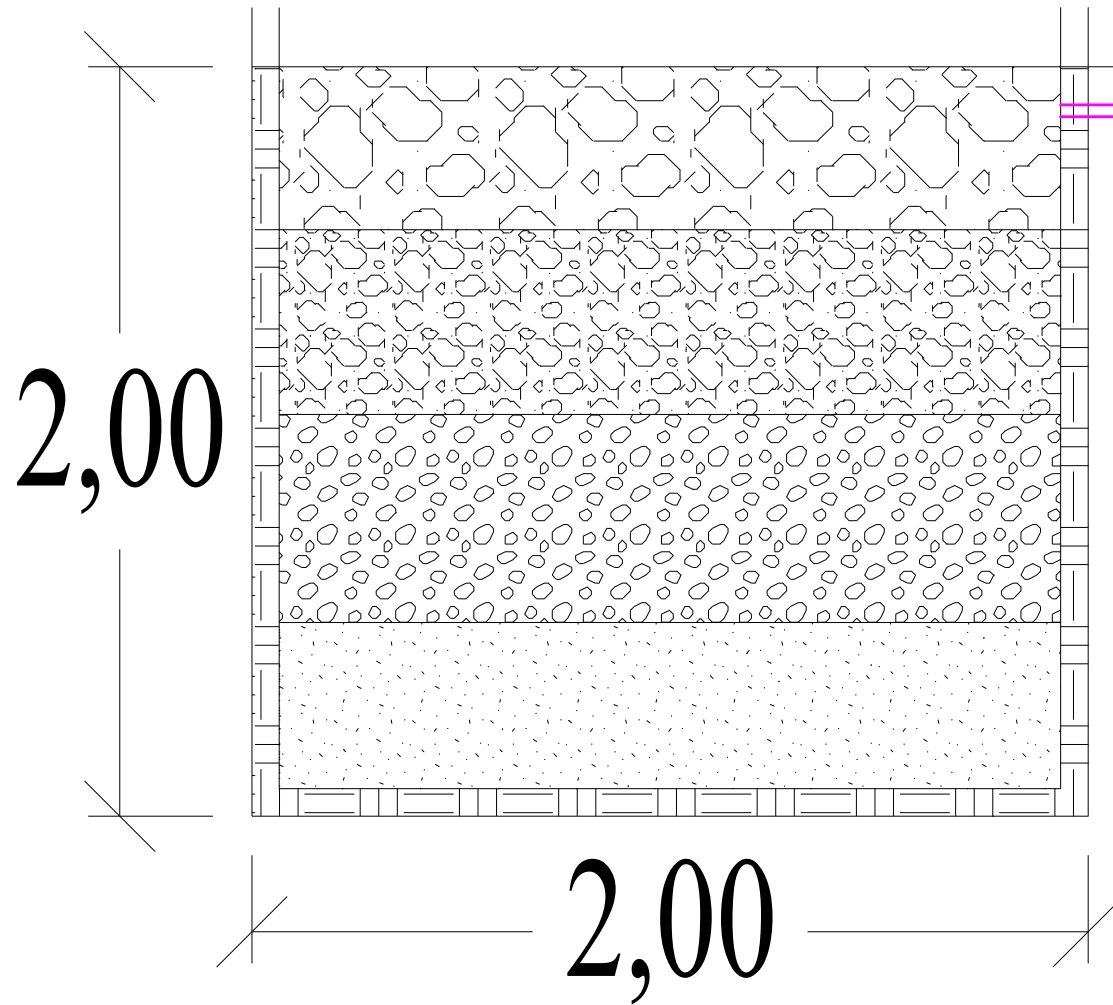
Hand washing facility view.



Section of hand washing facility



Soaket pit section.



PVC pipe for Grey wter T.

10 cm Boulder

5 cm gravel pack

2-3 cm Gravel

mm, Sand

View of the ladder.

I beam and L section with profile

