



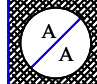


NORWEGIAN CHURCH AID (NCA)
ORD (ORGANIZATION For RELIEF DEVELOPMENT)
ICRA/PEARL Project

Village: Jare Qala Afghania
 District: Chamtale
 Province: Balkh

Design and Drawing of Water Supply Project
Project Name: Pipe Scheme with Elevated Reservoir

Brief Information

Proposed depth = 60m
 Approximate Static water level = 30m
 No. of stand taps = 16
 No. of solar panels 270 watt = 20 PCS

 	SURVEYED BY	Eng.Noor Wali & Eng Hidayatullah Sadiq	CHECKED BY	Eng Mojeeb Rahman	SCALE	Custom	SHEET NO. 	PROVINCE	Balkh	PROJECT NAME ICRA/PEARL	 
	DESIGNED BY	Eng.Noor Wali & Eng Hidayatullah Sadiq	REVIEWED BY	NCA Engineering Team	DATE	23/09/2023		DISTRICT	Chamtal		
	DRAWN BY	Eng.Noor Wali & Eng Hidayatullah Sadiq	APPROVED BY	NCA Engineering Team	DRAWING NO.	7		VILLAGE	Jare Qala Afghania	Update Drawing of Pipe Scheme Project	

Including documents

Village: Jare Qala Afghania


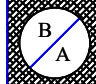

District: Chamtale

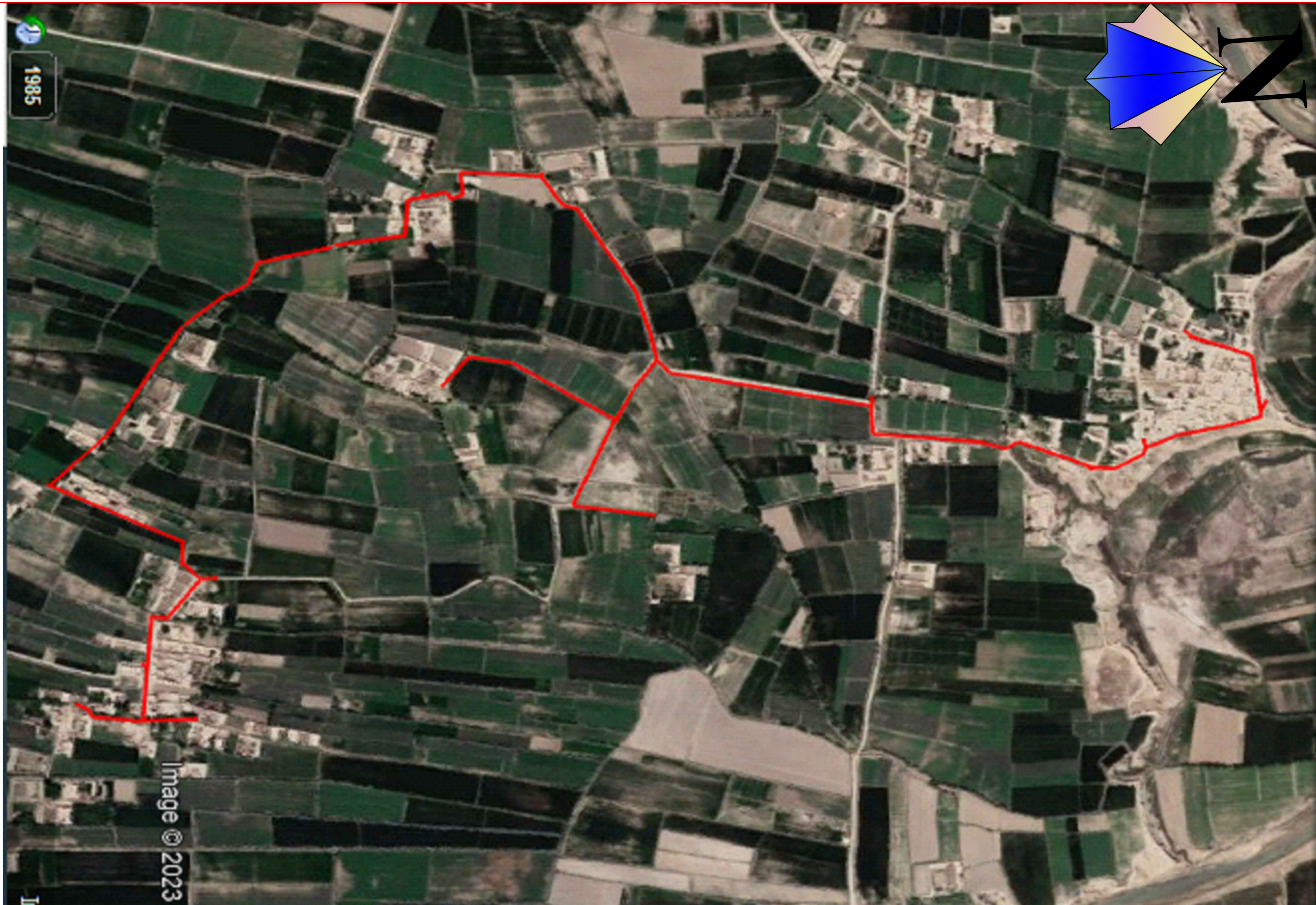
Province: Balkh

No	Document	Number of sheets	Remark
1	Survey Site plan	1	
2	Bore well Plan	2	
3	Well section A-A	3	
4	Bore well Casing and filter Detail	4	
5	Solar Panel Plan	5	
6	Stand for Solar Panel	6	
7	Gate valve box plan and section.	7	
8	Plan of Junction and Pressure	8	
9	Plan of velocity	9	
10	Plan of length and diameter	10	
11	RCC Elevated Water Reservoir 23.5 m ³	11	
12	RCC Elevated Water Reservoir section	12	
13	RCC Elevated Water Reservoir section	13	
14	RCC Elevated Water Reservoir section	14	
14	Public Stand Tap design	15	

Note:

- 1- All dimensions are in cm unless otherwise stated.
- 2- During RCC work vibrator must be used to avoid water leakage from reservoir.
- 3- All PCC works should be with 1:2:4 mortar unless otherwise stated.
- 4- All RCC works should be with 1:1.5:3 mortar.
- 5- Isolation material is glass wool.
- 7- Curing must be continued upto 28 days.
- 8- Clear and Clean water must be used every where.
- 9- The inlet, outlet, overflow and washing pipes should be adjusted according to site condition.

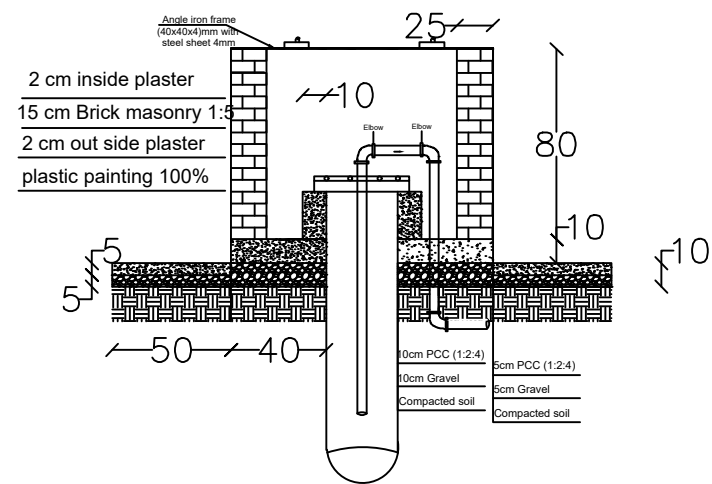
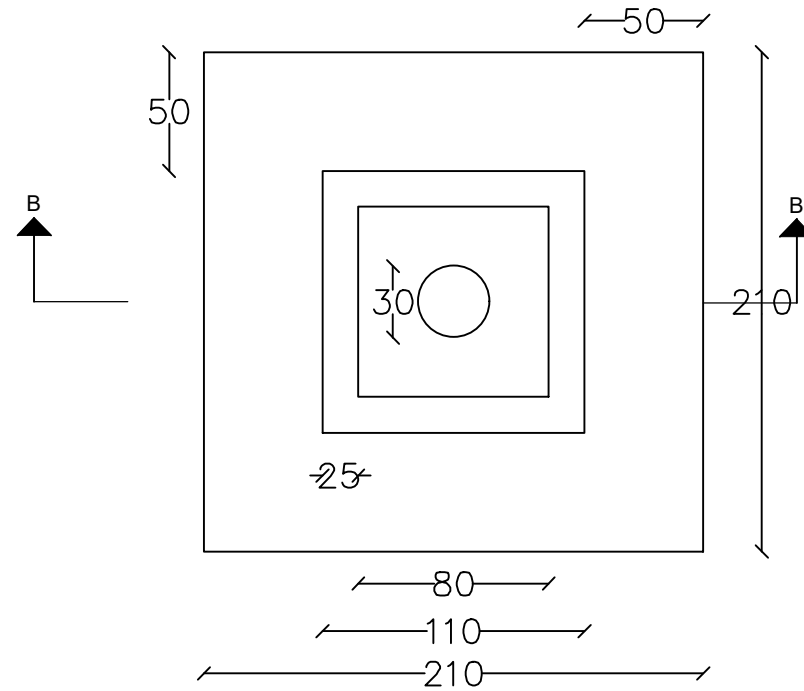
	SURVEYED BY	Eng.Noor Wali & Eng Hidayatullah Sadiq	CHECKED BY	Eng Mojeeb Rahman	SCALE	Custom	SHEET NO. 	PROVINCE	Balkh	PROJECT NAME	
	DESIGNED BY	Eng.Noor Wali & Eng Hidayatullah Sadiq	REVIEWED BY	NCA Engineering Team	DATE	22/09/2023		DISTRICT	Chamtal	ICRA/PEARL	
	DRAWN BY	Eng.Noor Wali & Eng Hidayatullah Sadiq	APPROVED BY	NCA Engineering Team	DRAWING NO.	7		VILLAGE	Jare Qala Afghania	Update Drawing of Pipe Scheme Project	



SURVEYED BY	Eng.Noor Wali & Eng Hidayatullah Sadiq	CHECKED BY	Eng Mojeeb Rahman	SCALE	Custom	SHEET NO. 1/15	PROVINCE	Balkh
DESIGNED BY	Eng.Noor Wali & Eng Hidayatullah Sadiq	REVIEWED BY	NCA Engineering Team	DATE	23/09/2023		DISTRICT	Chamtal
DRAWN BY	Eng.Noor Wali & Eng Hidayatullah Sadiq	APPROVED BY	NCA Engineering Team	DRAWING NO.	7		VILLAGE	Jare Qala Afghanistan

PROJECT NAME	ICRA/PEARL	
DRAWING TITLE	Update Drawing of Pipe Scheme Project	

Bore Well Plan

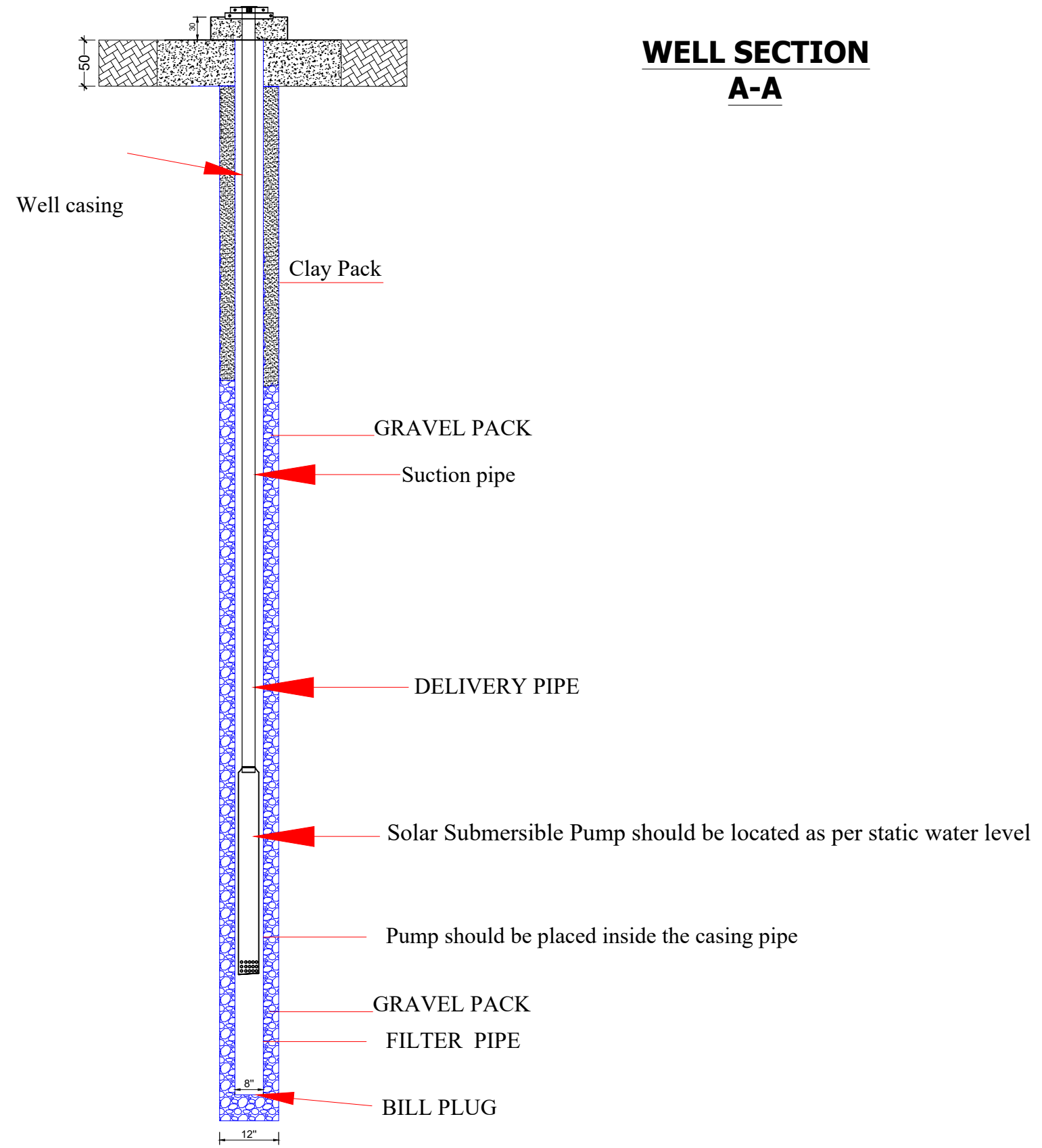


Section B-B



SURVEYED BY	Eng.Noor Wali & Eng Hidayatullah Sadiq	CHECKED BY	NCA Engineering Team	SCALE	Custom	SHEET NO.	PROVINCE	Balkh	PROJECT NAME	PERAL
DESIGNED BY	Eng.Noor Wali & Eng Hidayatullah Sadiq	REVIEWED BY	NCA Engineering Team	DATE	26/07/2023		DISTRICT	Chemtal	DRAWING TITLE	
DRAWN BY	Eng.Noor Wali & Eng Hidayatullah Sadiq	APPROVED BY	NCA Engineering Team	DRAWING NO.	7		VILLAGE	Jar Qala		





**WELL SECTION
A-A**

	SURVEYED BY	Eng.Noor Wali & Eng Hidayatullah Sadiq	CHECKED BY	Eng Mojeeb Rahman	SCALE	Custom	SHEET NO. 3/15	PROVINCE	Balkh	PROJECT NAME	
	DESIGNED BY	Eng.Noor Wali & Eng Hidayatullah Sadiq	REVIEWED BY	NCA Engineering Team	DATE	26/07/2023		DISTRICT	Chamtal	ICRA/PEARL	
	DRAWN BY	Eng.Noor Wali & Eng Hidayatullah Sadiq	APPROVED BY	NCA Engineering Team	DRAWING NO.	7		VILLAGE	Jare Qala Afghania	DRAWING TITLE: Update Drawing of Pipe Scheme Project	

Bore Well Casing and Filter Detail

Figure (3)

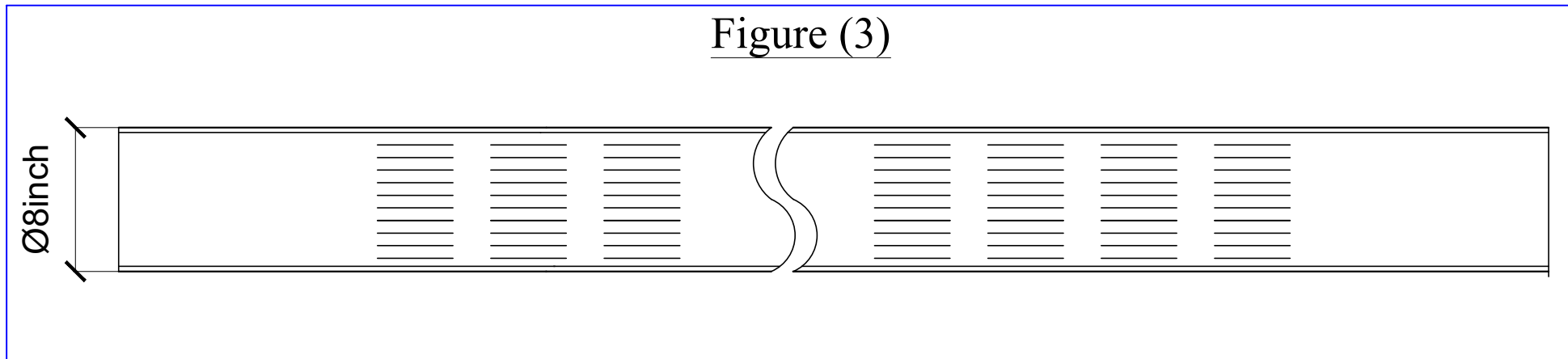


Figure (1)

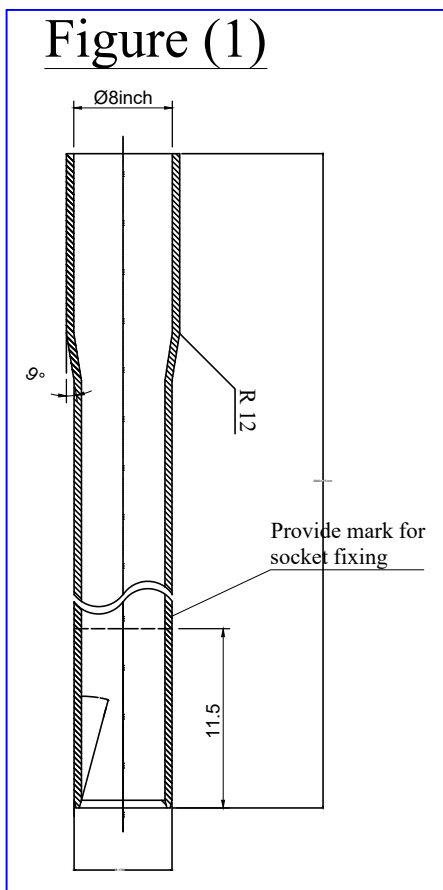
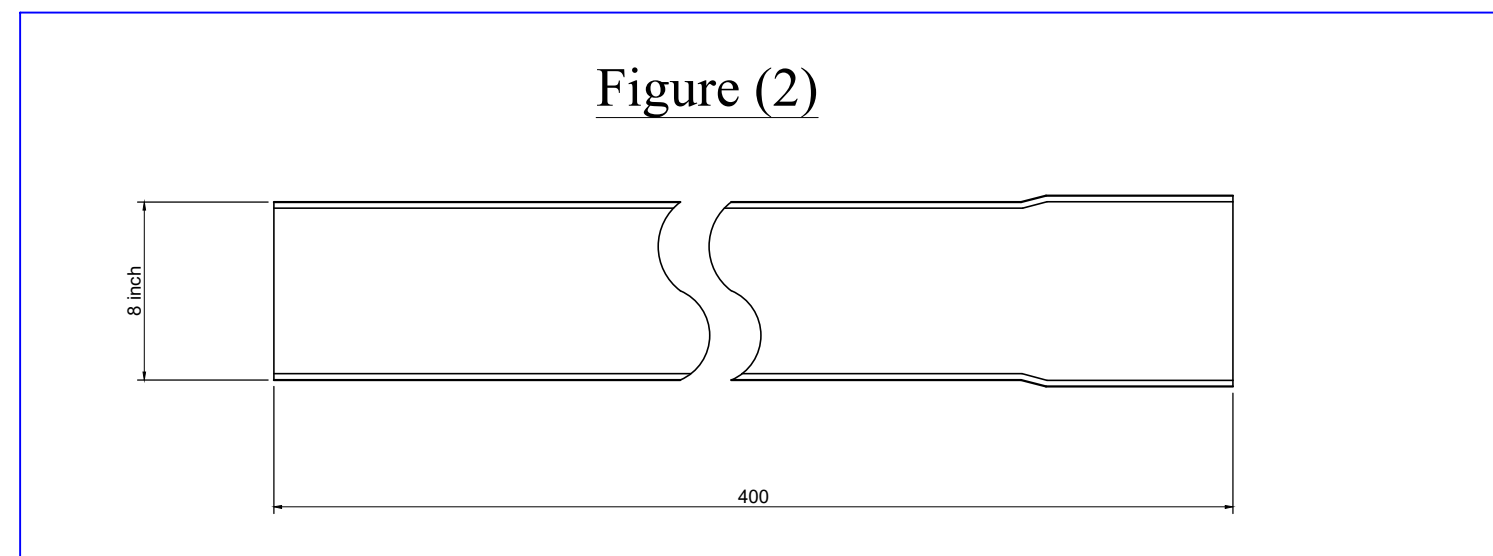




Figure (2)



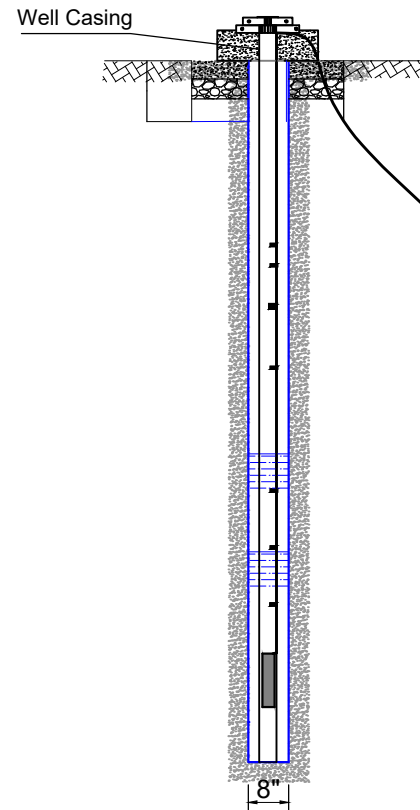
Note:

- 1- All dimensions are in cm unless otherwise stated.
- 2- All figures are stated at section B-B.

	SURVEYED BY	Eng.Noor Wali & Eng Hidayatullah Sadiq	CHECKED BY	Eng Mojeeb Rahman	SCALE	Custom	SHEET NO. 4/15	PROVINCE	Balkh	PROJECT NAME	
	DESIGNED BY	Eng.Noor Wali & Eng Hidayatullah Sadiq	REVIEWED BY	NCA Engineering Team	DATE	26/07/2023		DISTRICT	Chantal	ICRA/PEARL	
	DRAWN BY	Eng.Noor Wali & Eng Hidayatullah Sadiq	APPROVED BY	NCA Engineering Team	DRAWING NO.	7		VILLAGE	Jare Qala Afghania	DRAWING TITLE:	

Well Section and Solar Panel Plan

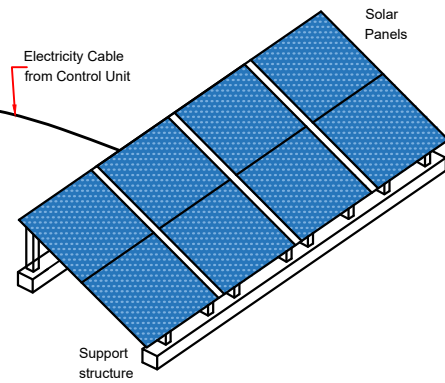
New proposed well with the depth of 110m and diameter of rotary drilling will be 12 inches Percussion machine, the casing and filter should be 8 inches.



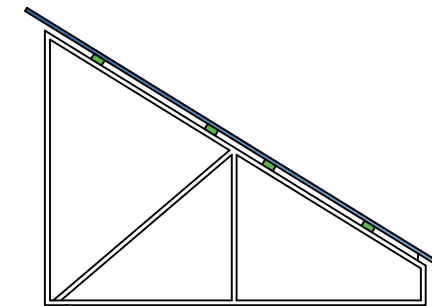
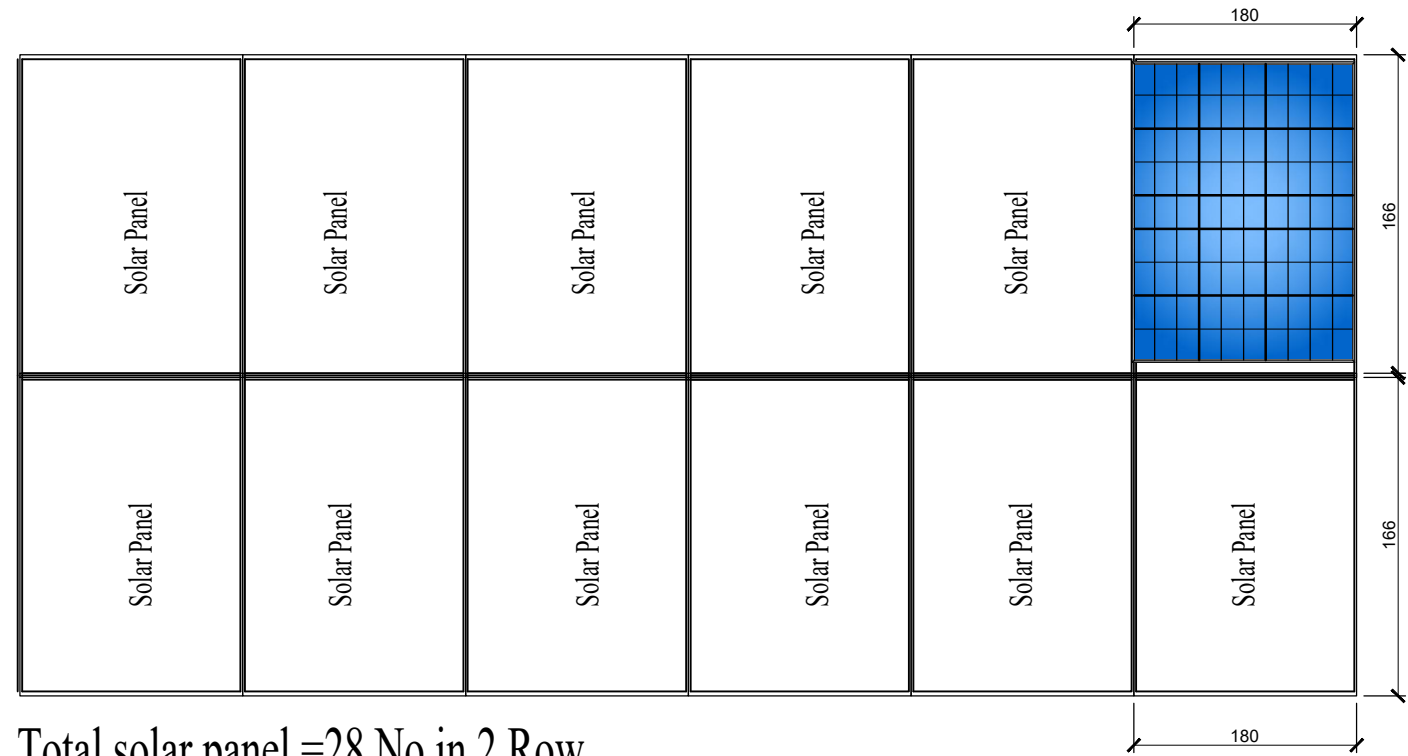
Electricity Cable from Control Unit to Submersible Pump (4*6)mm



Electricity Cable from Solar Panel to Control Unit (2*4)mm



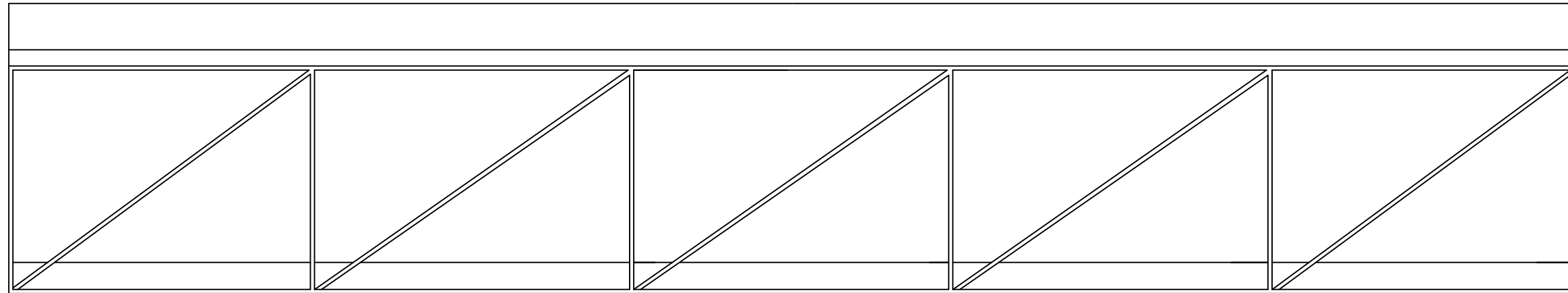
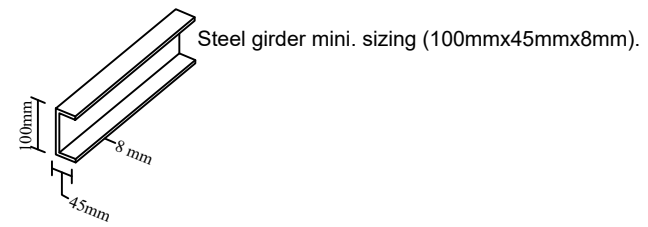
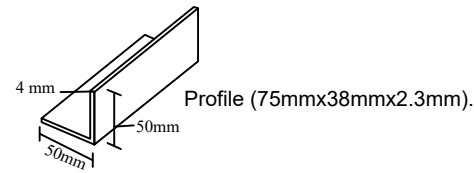
Total solar panel = 28 No in 2 Row



SURVEYED BY	Eng.Noor Wali & Eng Hidayatullah Sadiq	CHECKED BY	NCA Engineering Team	SCALE	Custom	SHEET NO. 5/15	PROVINCE	Balkh	PROJECT NAME ICRA/PEARL
DESIGNED BY	Eng.Noor Wali & Eng Hidayatullah Sadiq	REVIEWED BY	NCA Engineering Team	DATE	23/09/2023		DISTRICT	Chemtal	
DRAWN BY	Eng.Noor Wali & Eng Hidayatullah Sadiq	APPROVED BY	NCA Engineering Team	DRAWING NO.	7		VILLAGE	Jar Qala	



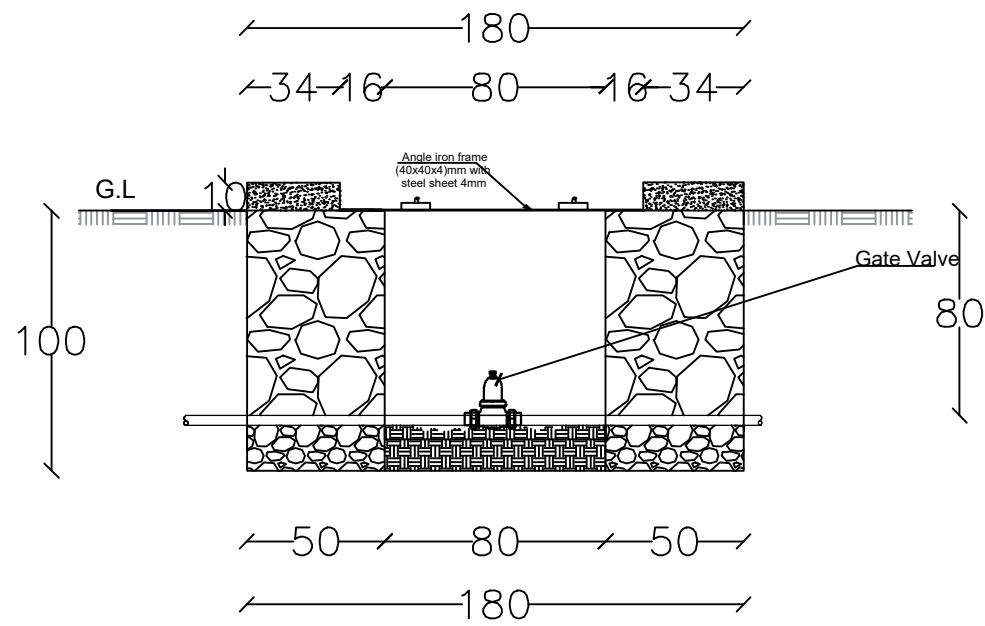
ALL JOINT IN FRAME SOULD BE JOIN BY NAT AND BOULT



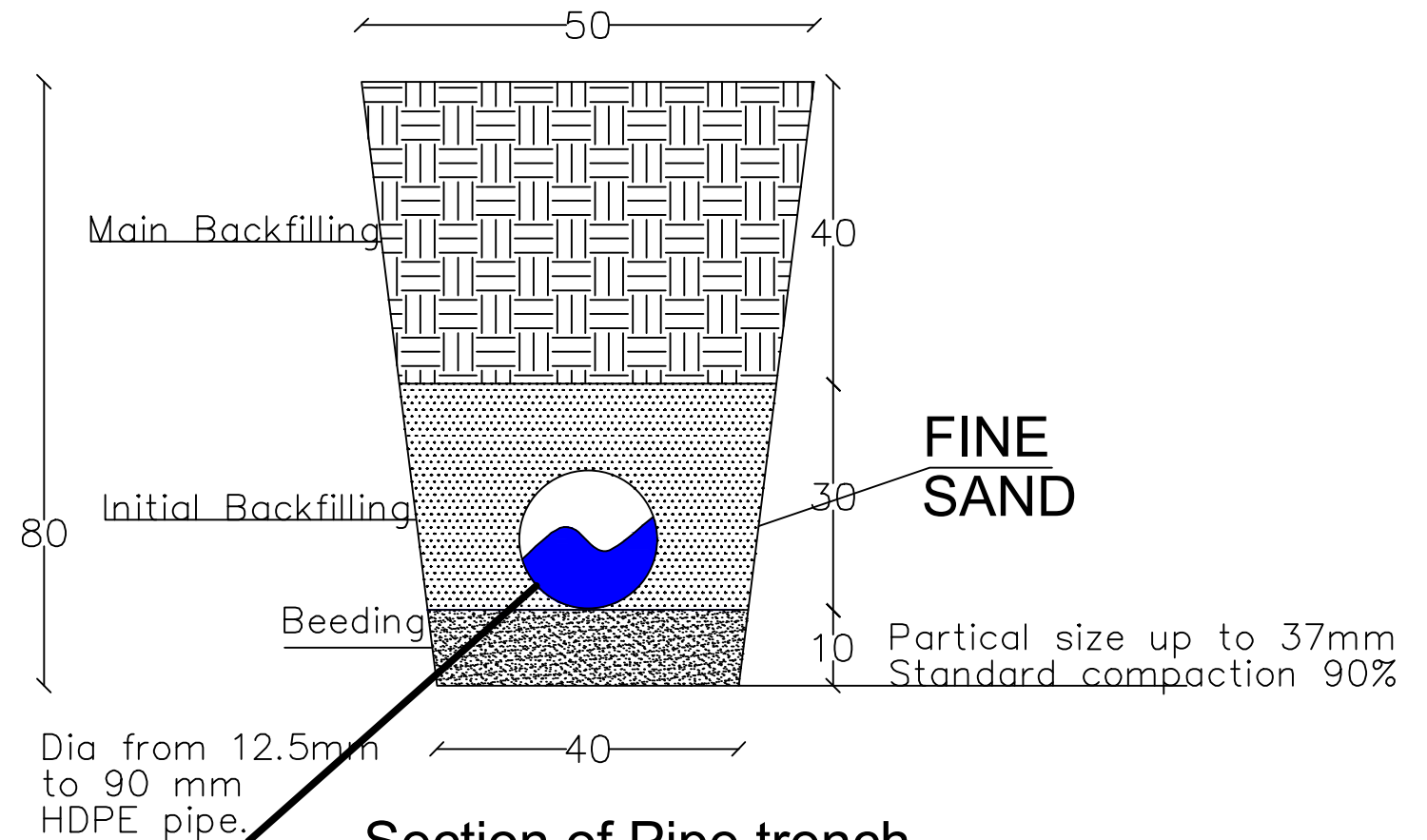
Back view

	SURVEYED BY	Eng.Noor Wali & Eng Hidayatullah Sadiq	CHECKED BY	Eng Mojeeb Rahman	SCALE	Custom	SHEET NO. 6/15	PROVINCE	Balkh	PROJECT NAME PEARL DRAWING TITLE
	DESIGNED BY	Eng.Noor Wali & Eng Hidayatullah Sadiq	REVIEWED BY	NCA Engineering Team	DATE	26/07/2023		DISTRICT	Chemtal	
	DRAWN BY	Eng.Noor Wali & Eng Hidayatullah Sadiq	APPROVED BY	NCA Engineering Team	DRAWING NO.	7		VILLAGE	Jar Qala	

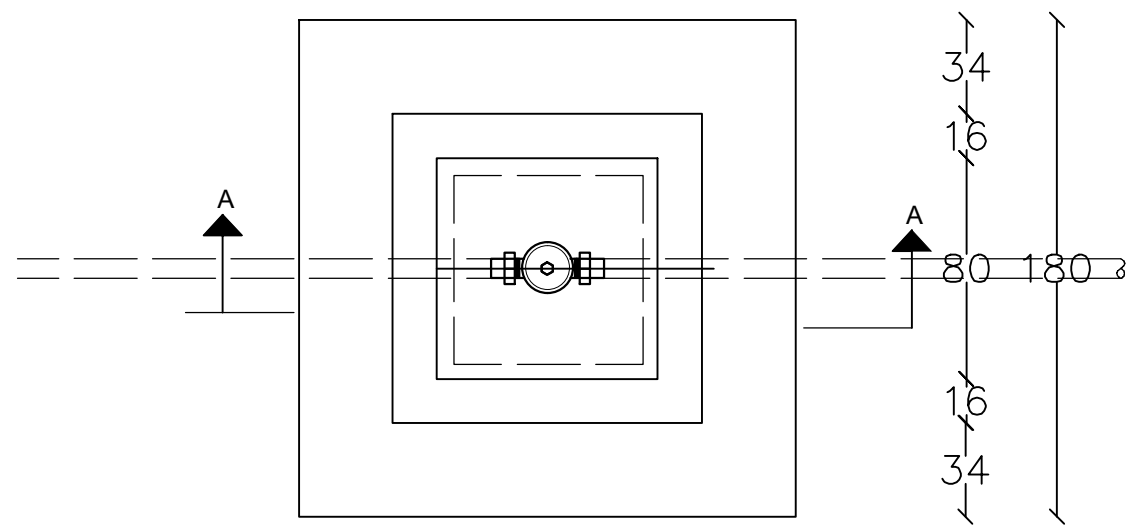




Section A-A

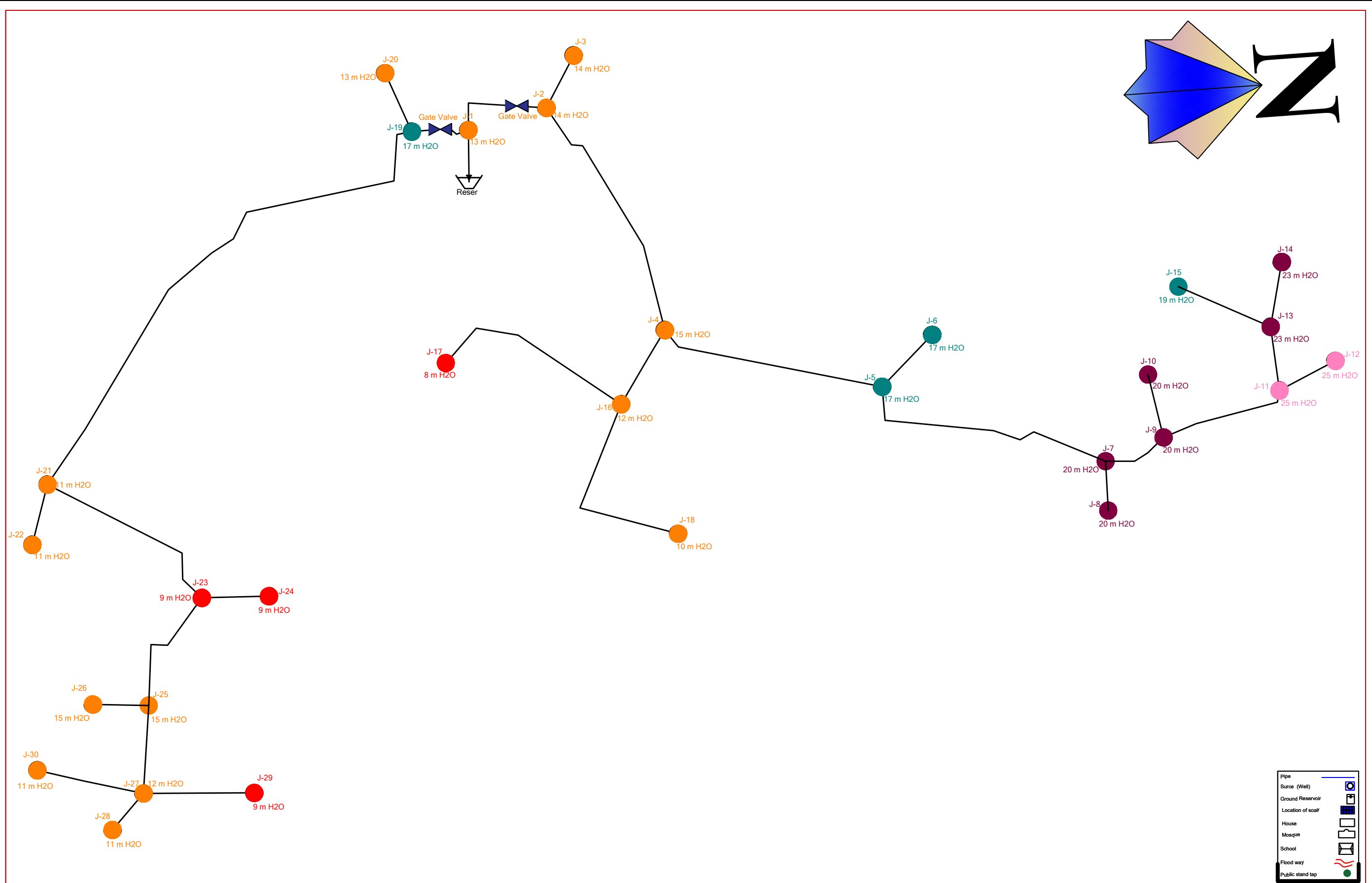


Section of Pipe trench

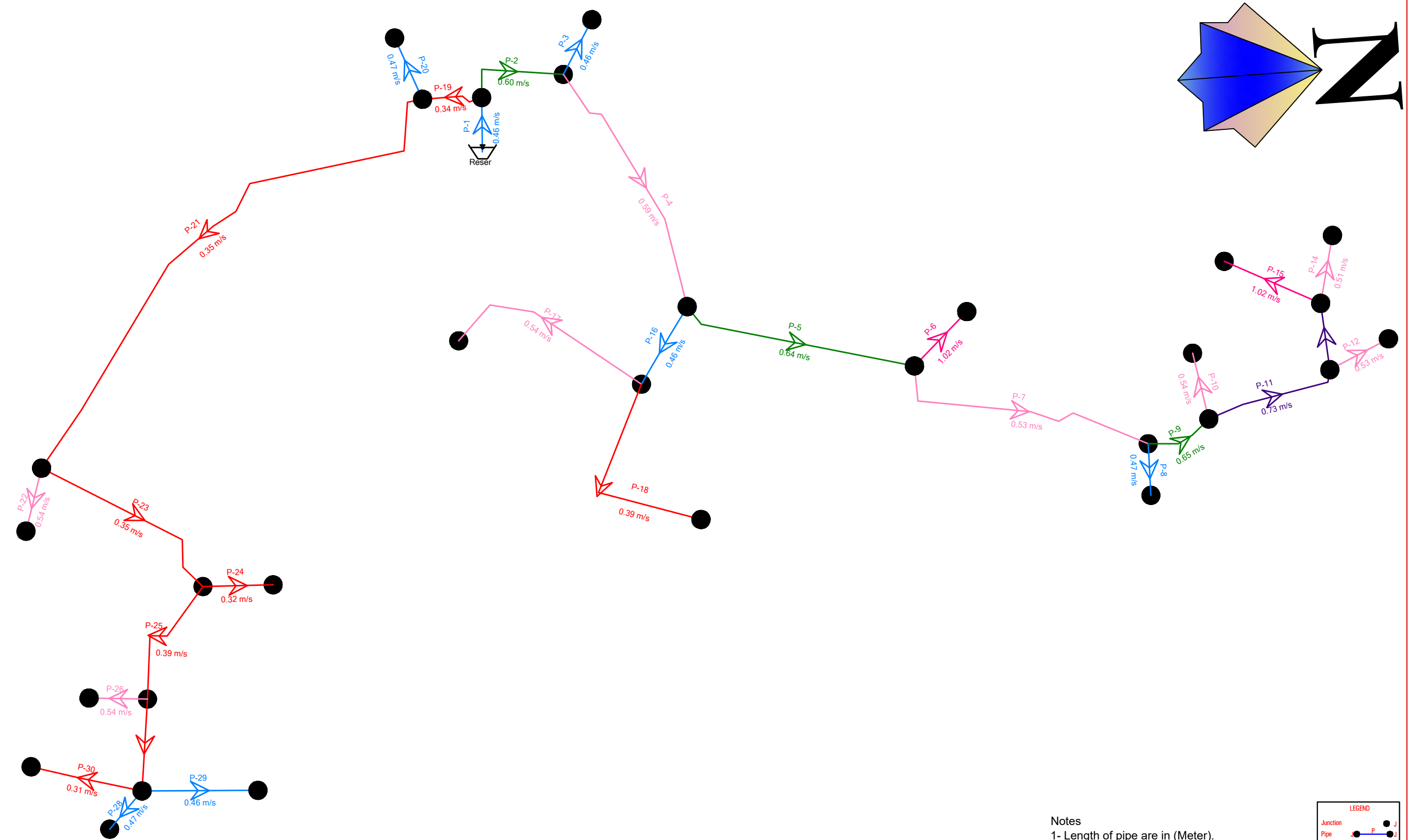
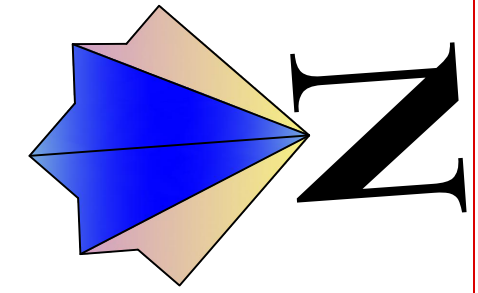


GATE VALVE BOX

	SURVEYED BY	Eng.Noor Wali & Eng Hidayatullah Sadiq	CHECKED BY	NCA Engineering Team	SCALE	Custom	SHEET NO. 7/15	PROVINCE	Balkh	PROJECT NAME ICRA/PEARL DRAWING TITLE
	DESIGNED BY	Eng.Noor Wali & Eng Hidayatullah Sadiq	REVIEWED BY	NCA Engineering Team	DATE	23/09/2023		DISTRICT	Chemtal	
	DRAWN BY	Eng.Noor Wali & Eng Hidayatullah Sadiq	APPROVED BY	NCA Engineering Team	DRAWING NO.	7		VILLAGE	Jar Qala	



	SURVEYED BY	Eng.Noor Wali & Eng Hidayatullah Sadiq	CHECKED BY	Eng Mojeeb Rahman	SCALE	Custom	SHEET NO.	PROVINCE	Balkh	PROJECT NAME	
	DESIGNED BY	Eng.Noor Wali & Eng Hidayatullah Sadiq	REVIEWED BY	NCA Engineering Team	DATE	23/09/2023		DISTRICT	Chamtal	ICRA/PEARL	
	DRAWN BY	Eng.Noor Wali & Eng Hidayatullah Sadiq	APPROVED BY	NCA Engineering Team	DRAWING NO.	7		VILLAGE	Jare Qala Afghanistan	DRAWING TITLE: Update Drawing of Pipe Scheme Project	



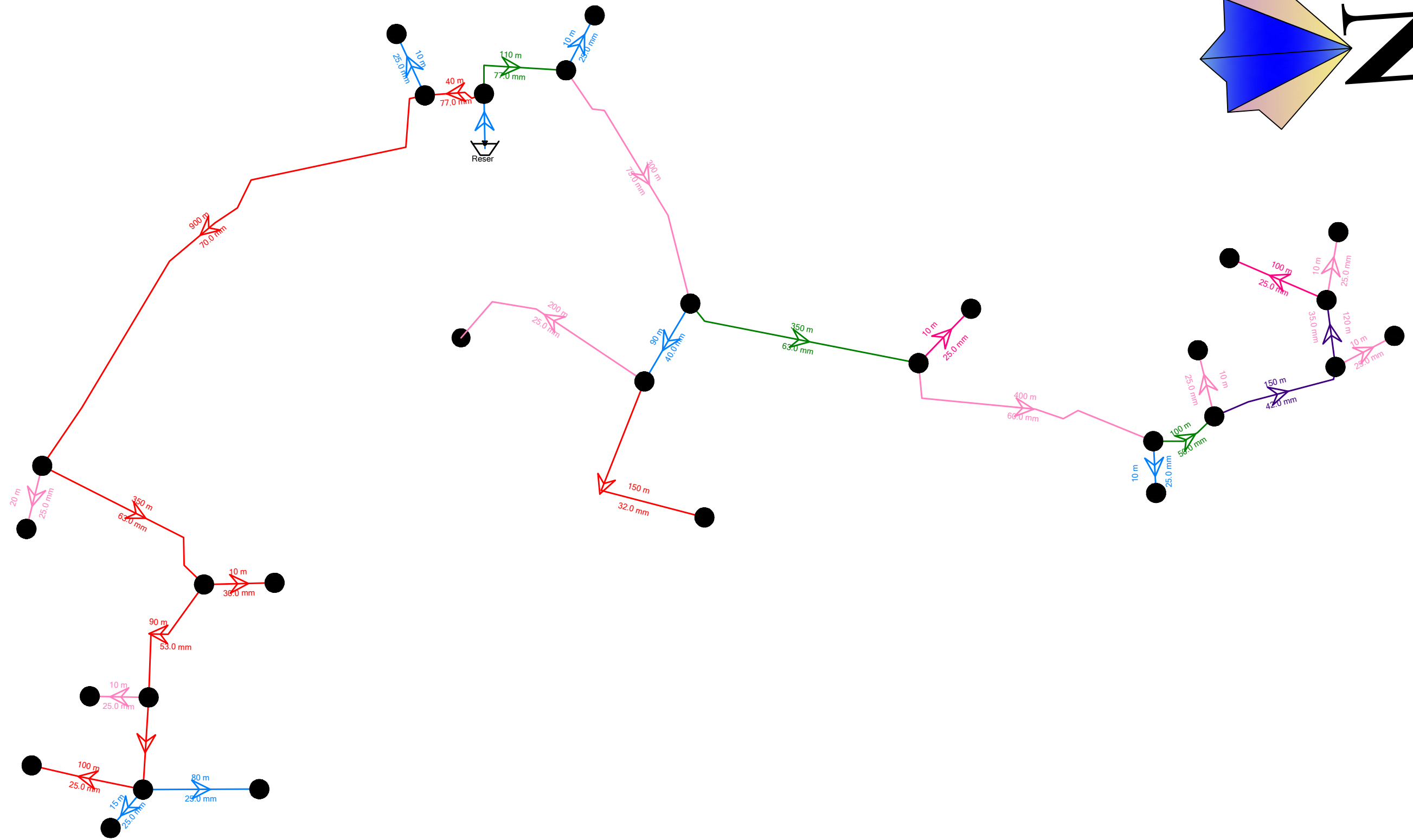
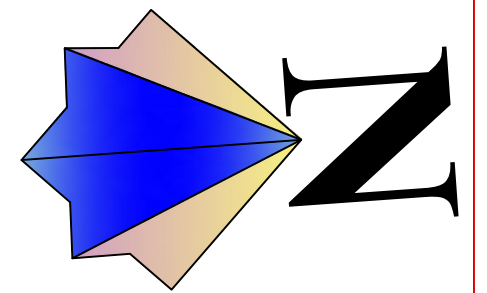
Notes
 1- Length of pipe are in (Meter).
 2- Outer diameter of all pipe are in (mm).
 3-Elevation of all joint are in (Meter).

LEGEND	
Junction	J
Pipe	P
Surface Reservoir	Reser
Gate valve	Gate valve symbol
Stand Tap (ST)	ST



SURVEYED BY	Eng.Noor Wali & Eng Hidayatullah Sadiq	CHECKED BY	Eng Mojeeb Rahman	SCALE	Custom	SHEET NO. 9/15	PROVINCE	Balkh	PROJECT NAME ICRA/PEARL DRAWING TITLE: Update Drawing of Pipe Scheme Project
DESIGNED BY	Eng.Noor Wali & Eng Hidayatullah Sadiq	REVIEWED BY	NCA Engineering Team	DATE	23/09/2023		DISTRICT	Chamtal	
DRAWN BY	Eng.Noor Wali & Eng Hidayatullah Sadiq	APPROVED BY	NCA Engineering Team	DRAWING NO.	7		VILLAGE	Jare Qala Afghanistan	

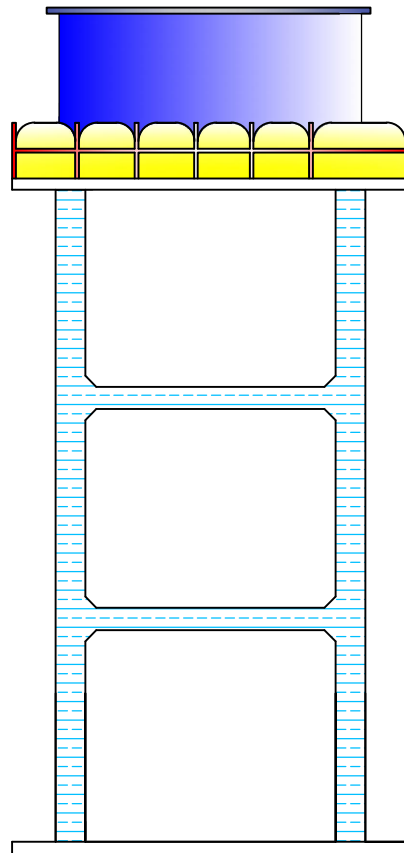




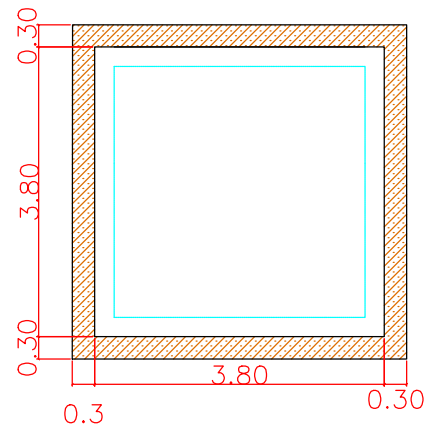
	SURVEYED BY	Eng.Noor Wali & Eng Hidayatullah Sadiq	CHECKED BY	Eng Mojeeb Rahman	SCALE	Custom	SHEET NO. 10/15	PROVINCE	Balkh	PROJECT NAME ICRA/PEARL DRAWING TITLE: Update Drawing of Pipe Scheme Project
	DESIGNED BY	Eng.Noor Wali & Eng Hidayatullah Sadiq	REVIEWED BY	NCA Engineering Team	DATE	23/07/2023		DISTRICT	Chantal	
	DRAWN BY	Eng.Noor Wali & Eng Hidayatullah Sadiq	APPROVED BY	NCA Engineering Team	DRAWING NO.	7		VILLAGE	Jare Qala Afghania	

RCC Elevated Water Reservoir 23.5 m³

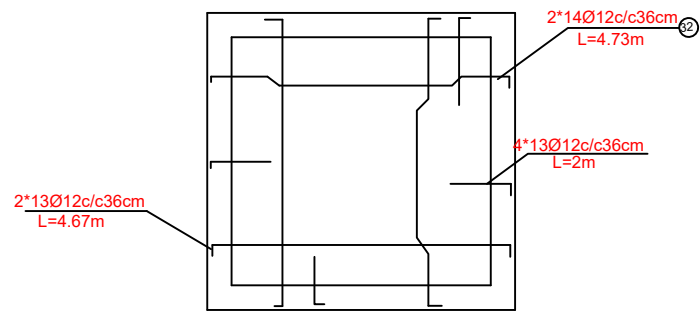
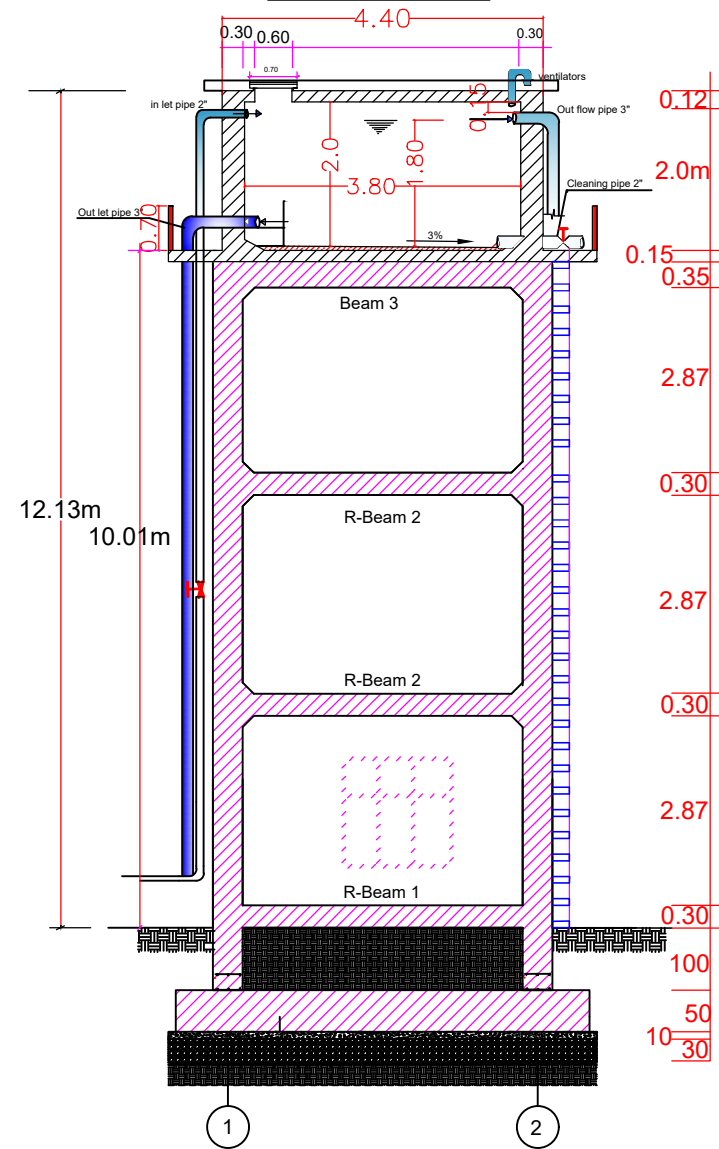
Front Elevation



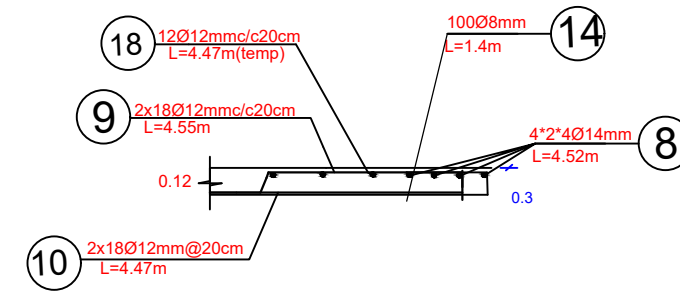
Plan of Water Reservoir 23.6m³



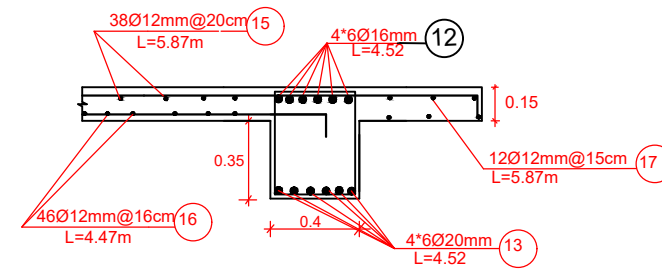
Sec A-A



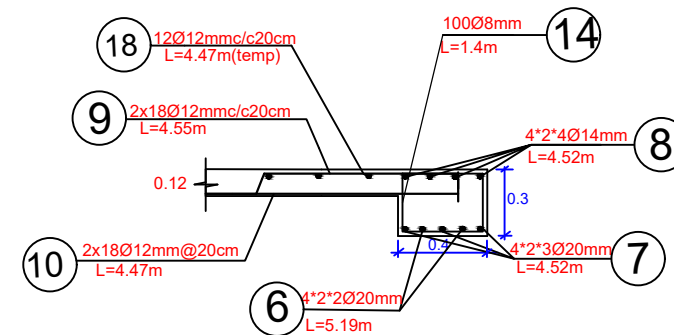
Sec 6-6



Sec 5-5



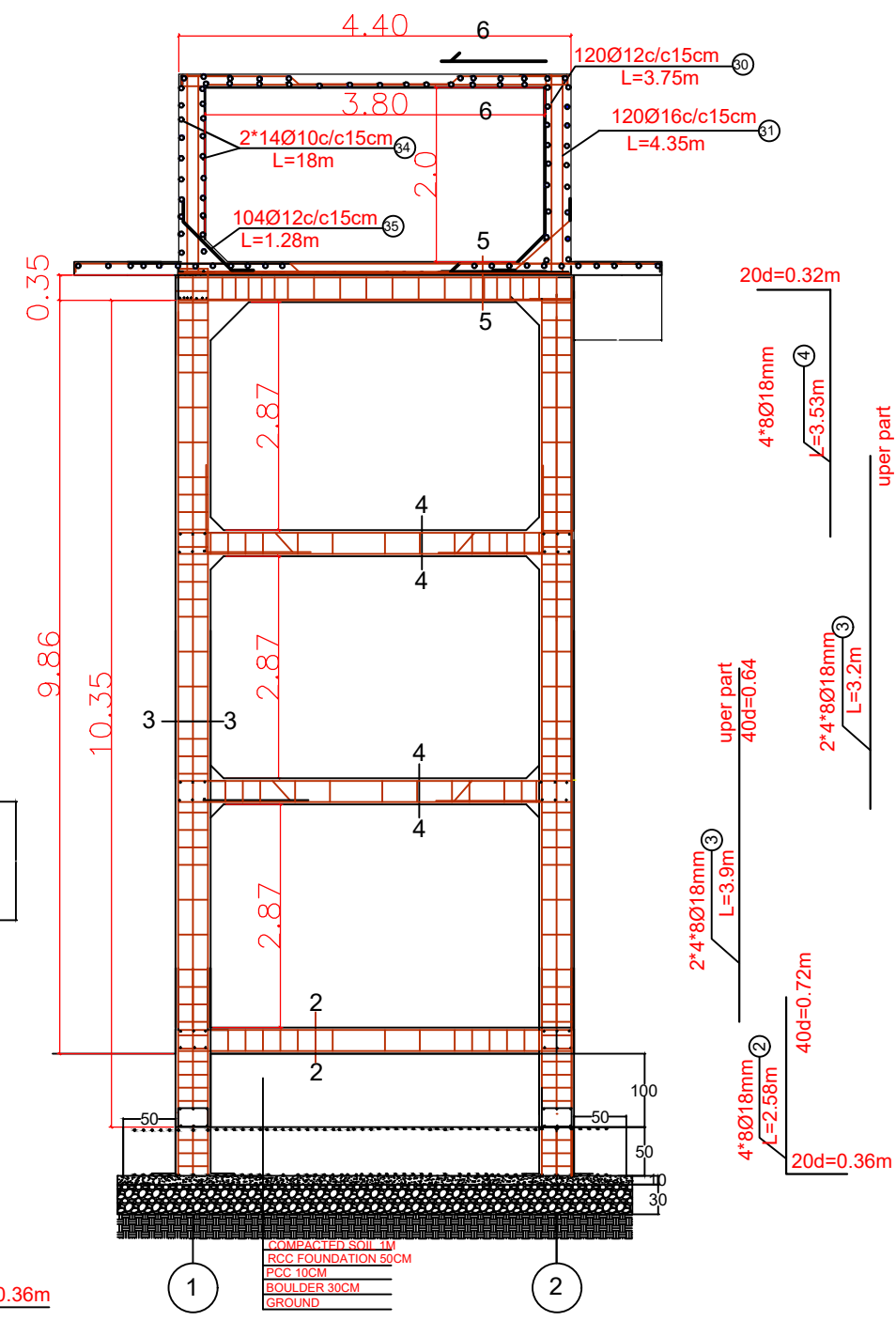
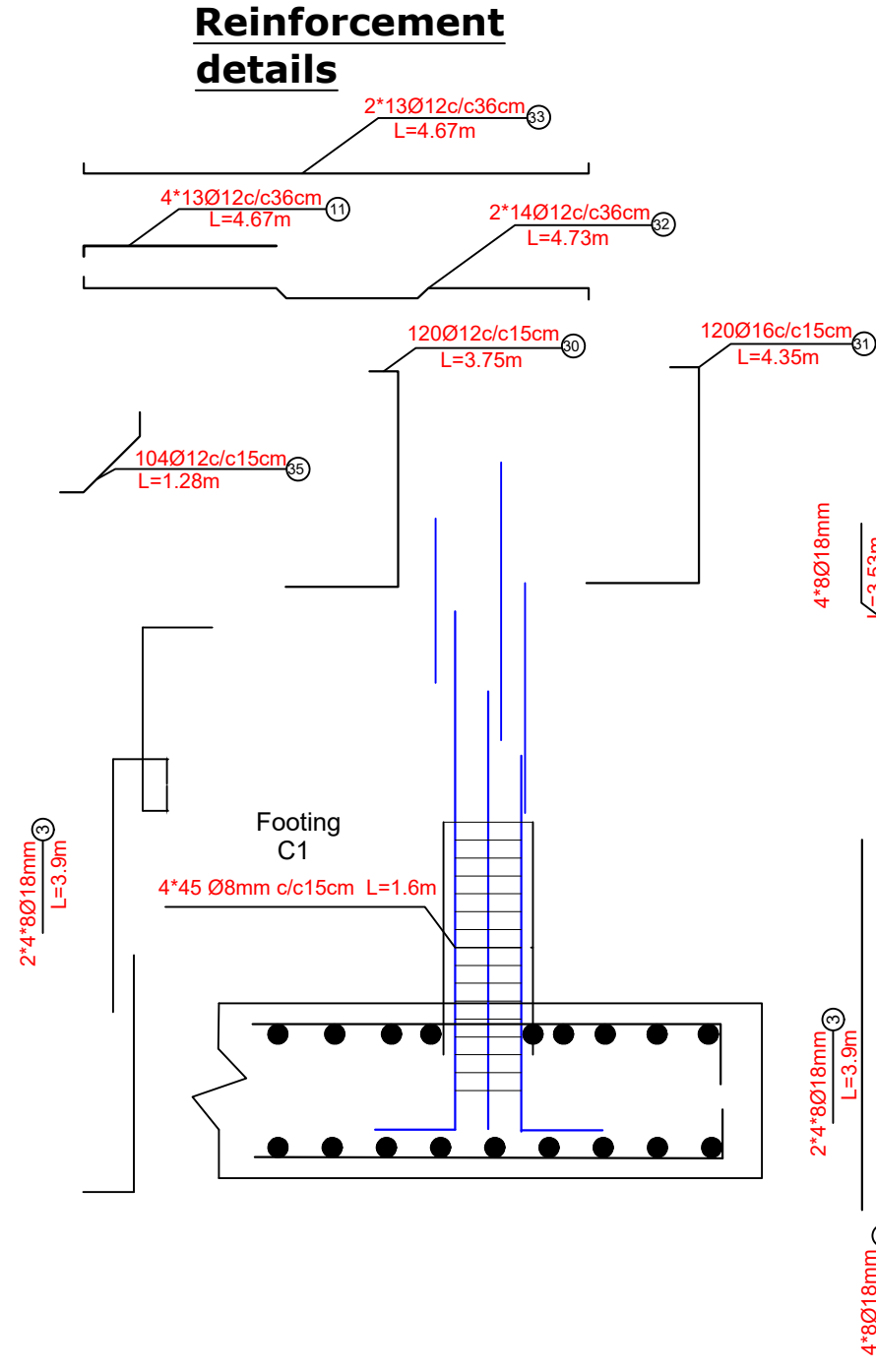
Sec 4-4



SURVEYED BY	Eng.Noor Wali & Eng Hidayatullah Sadiq	CHECKED BY	NCA Engineering Team	SCALE	Custom	SHEET NO. 11/15	PROVINCE	Balkh	PROJECT NAME	ICRA/PEARL
DESIGNED BY	Eng.Noor Wali & Eng Hidayatullah Sadiq	REVIEWED BY	NCA Engineering Team	DATE	23/09/2023		DISTRICT	Chemtal	DRAWING TITLE	
DRAWN BY	Eng.Noor Wali & Eng Hidayatullah Sadiq	APPROVED BY	NCA Engineering Team	DRAWING NO.	7		VILLAGE	Jar Qala		

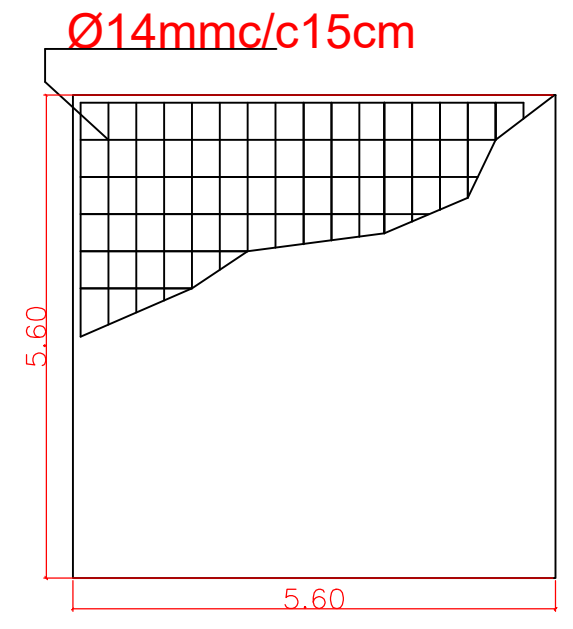
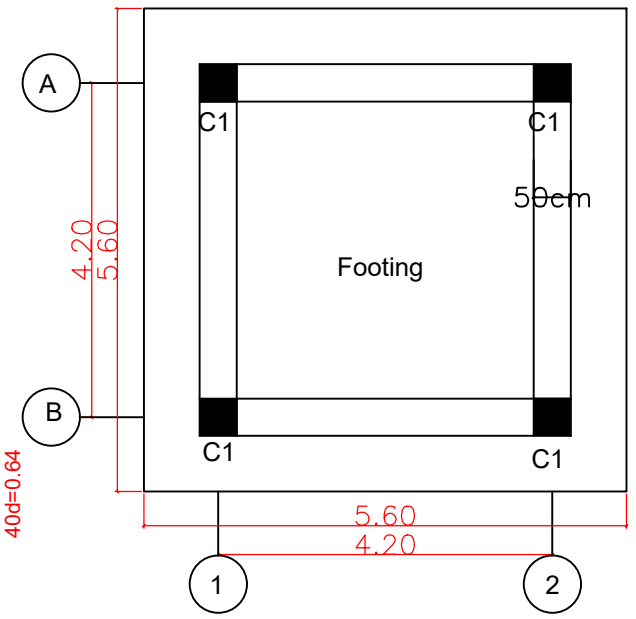


Reinforcement



COMPACTED SOIL 1M
RCC FOUNDATION 50CM
PCC 10CM
BOULDER 30CM
GROUND

Foundation Plan



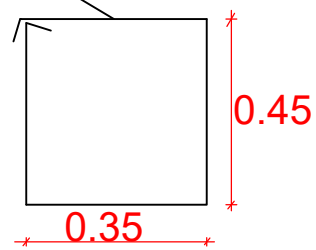
Foundation Plan



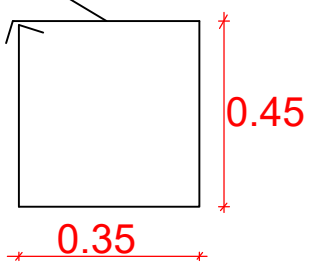
SURVEYED BY	Eng.Noor Wali & Eng Hidayatullah Sadiq	CHECKED BY	NCA Engineering Team	SCALE	Custom	SHEET NO. 12 / 15	PROVINCE	Balkh	PROJECT NAME ICRA/PEARL DRAWING TITLE
DESIGNED BY	Eng.Noor Wali & Eng Hidayatullah Sadiq	REVIEWED BY	NCA Engineering Team	DATE	23/09/2023		DISTRICT	Chemtal	
DRAWN BY	Eng.Noor Wali & Eng Hidayatullah Sadiq	APPROVED BY	NCA Engineering Team	DRAWING NO.	7		VILLAGE	Jar Qala	



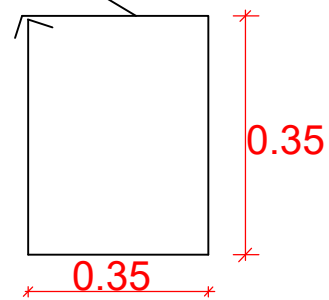
80Ø8mm c/c15cm L=1.80m (29)



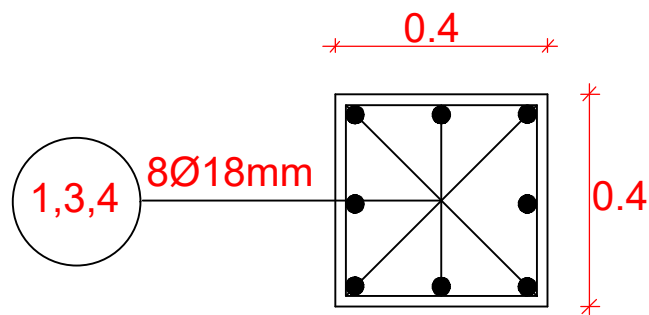
30Ø8mm c/c20cm L=1.80m (29)



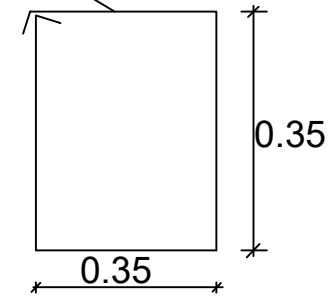
4*45 Ø8mm c/c15cm L=1.6m (27)



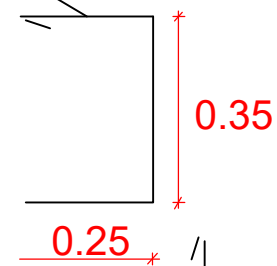
Sec 3-3



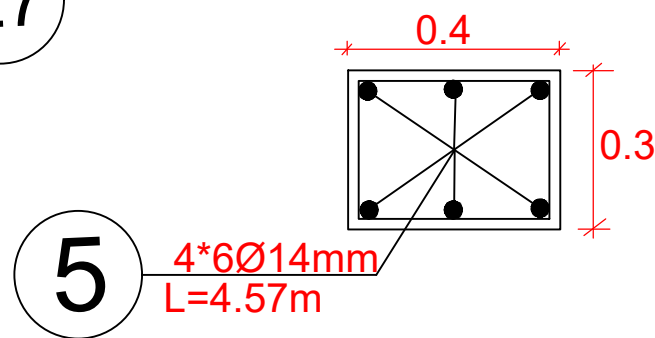
4*14Ø 8mm c/c25cm L=1.6m (27)



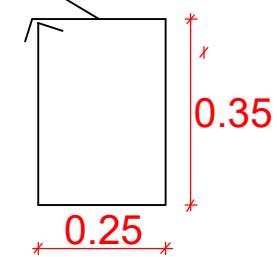
30Ø8mm c/c20cm (28)



Sec 2-2



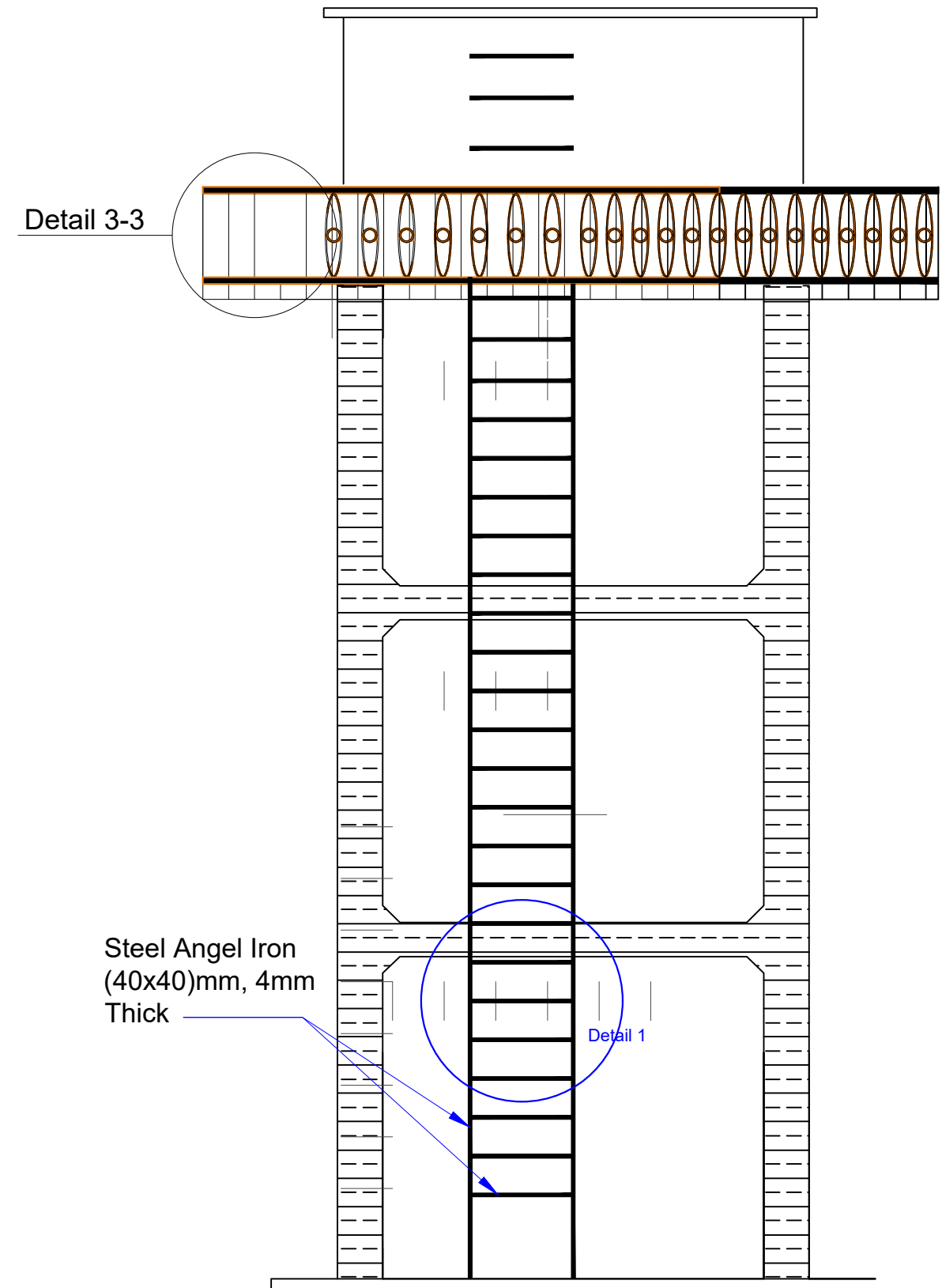
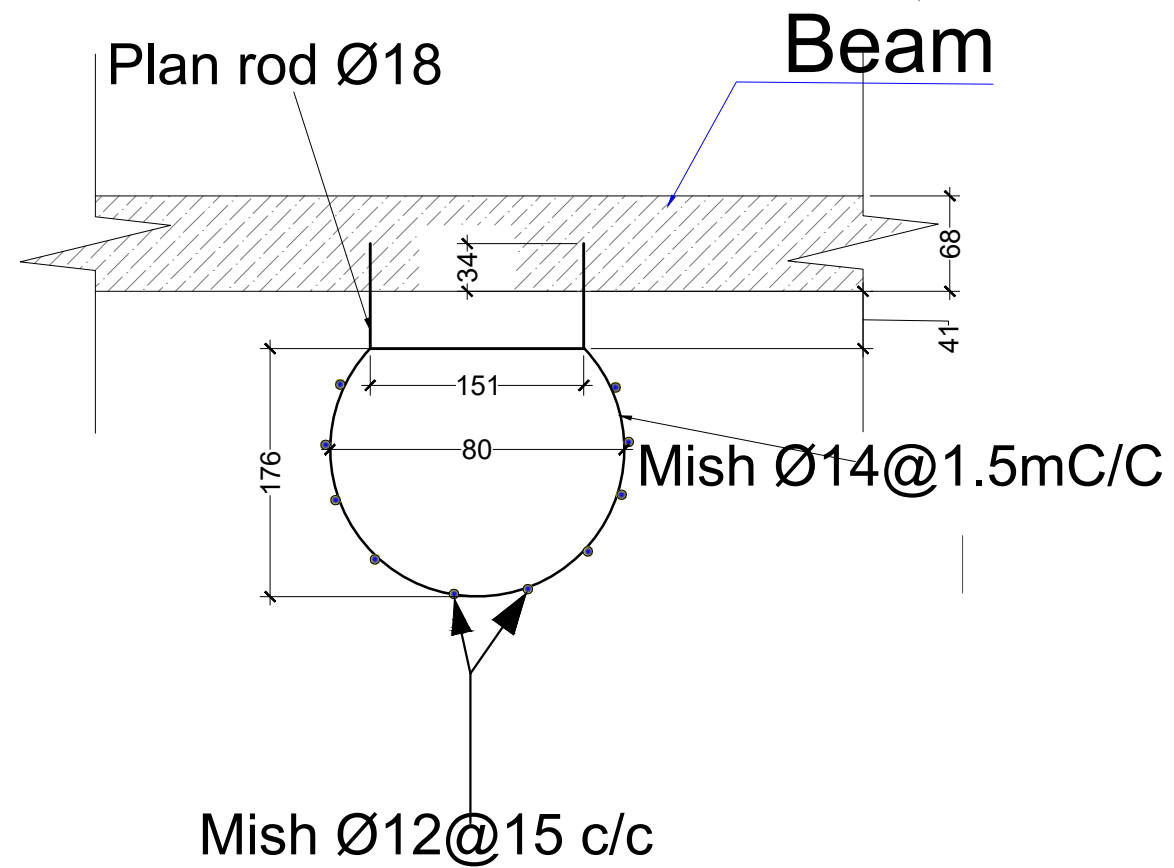
80Ø8mm c/c15cm L=1.4m (28)



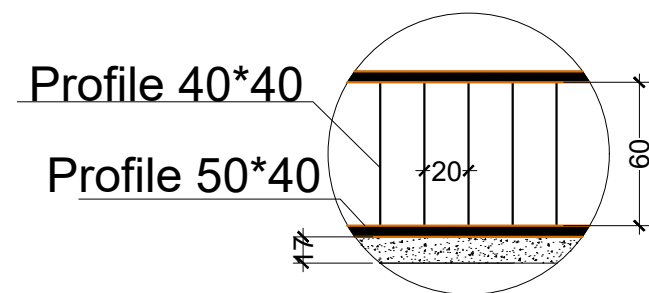
SURVEYED BY	Eng.Noor Wali & Eng Hidayatullah Sadiq	CHECKED BY	NCA Engineering Team	SCALE	Custom	SHEET NO. 13/15	PROVINCE	Balkh	PROJECT NAME ICRA/PEARL
DESIGNED BY	Eng.Noor Wali & Eng Hidayatullah Sadiq	REVIEWED BY	NCA Engineering Team	DATE	23/09/2023		DISTRICT	Chemtal	
DRAWN BY	Eng.Noor Wali & Eng Hidayatullah Sadiq	APPROVED BY	NCA Engineering Team	DRAWING NO.	7		VILLAGE	Jar Qala	



Mish & Rod Detail 1-1



Handrail Detail 3-3

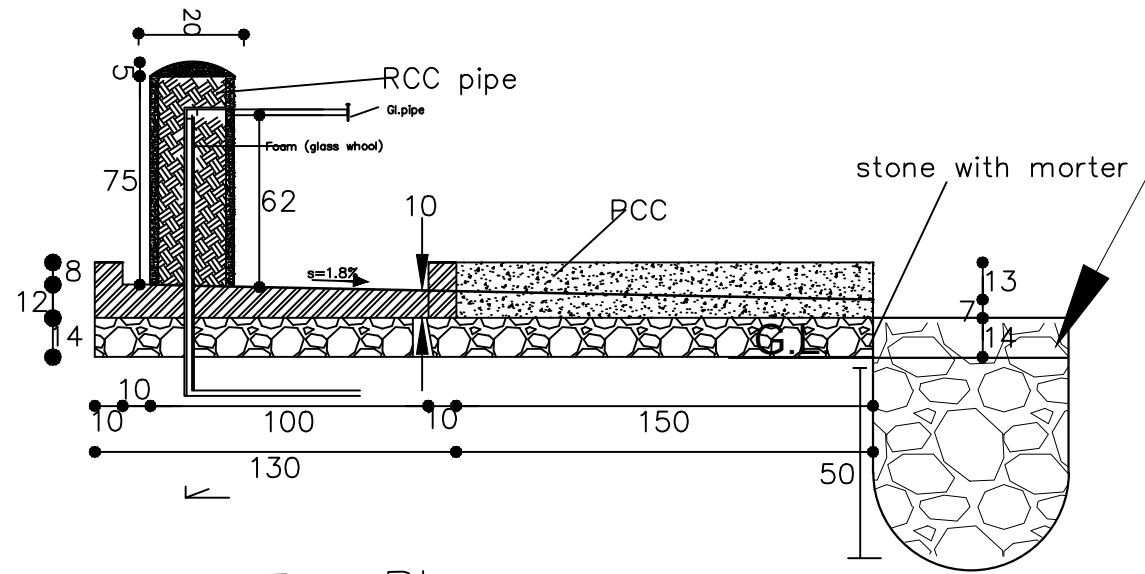


SURVEYED BY	Eng.Noor Wali & Eng Hidayatullah Sadiq	CHECKED BY	NCA Engineering Team	SCALE	Custom	SHEET NO. 14/15	PROVINCE	Balkh	PROJECT NAME	ICRA/PEARL
DESIGNED BY	Eng.Noor Wali & Eng Hidayatullah Sadiq	REVIEWED BY	NCA Engineering Team	DATE	23/09/2023		DISTRICT	Chemtal	DRAWING TITLE	
DRAWN BY	Eng.Noor Wali & Eng Hidayatullah Sadiq	APPROVED BY	NCA Engineering Team	DRAWING NO.	7		VILLAGE	Jar Qala		



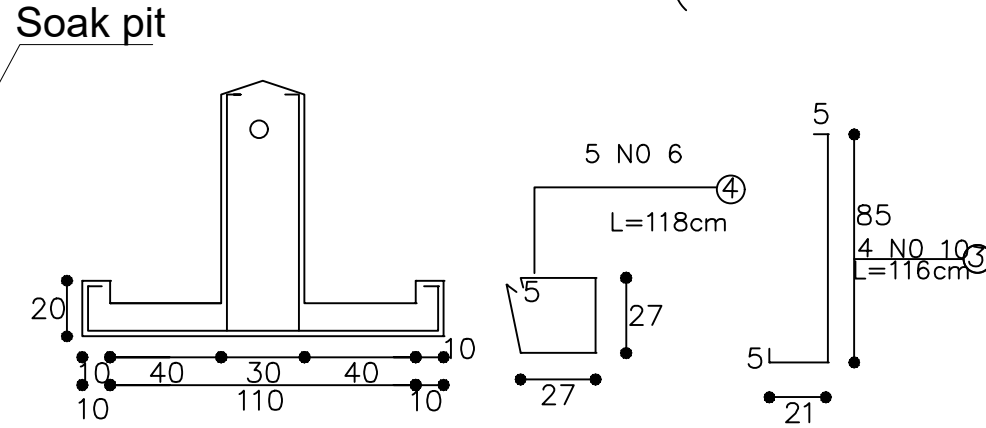
Public Stand Tap design

Stand Tap Section A – A

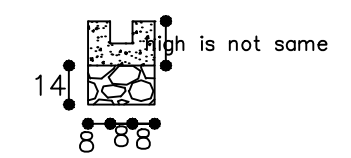


Reinforcement Details

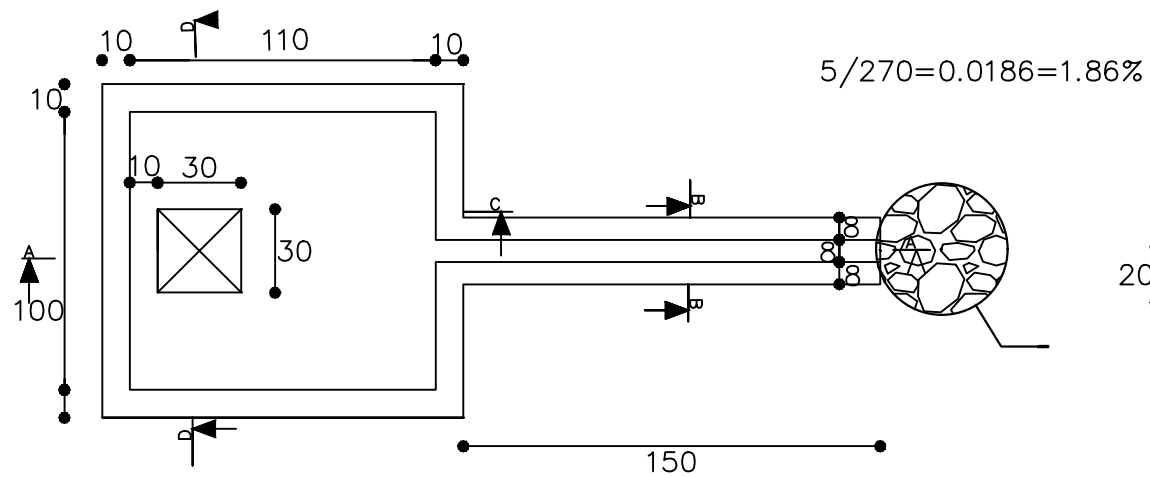
Section D – D (with outstone)



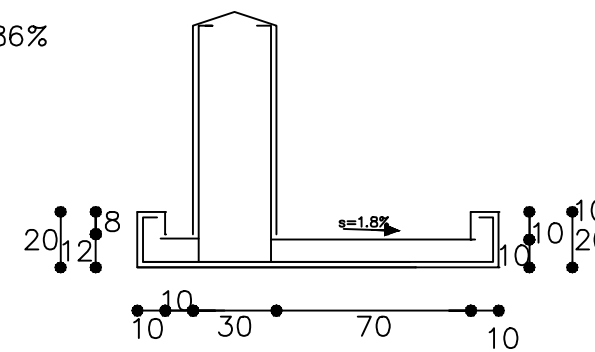
Slab steel bar



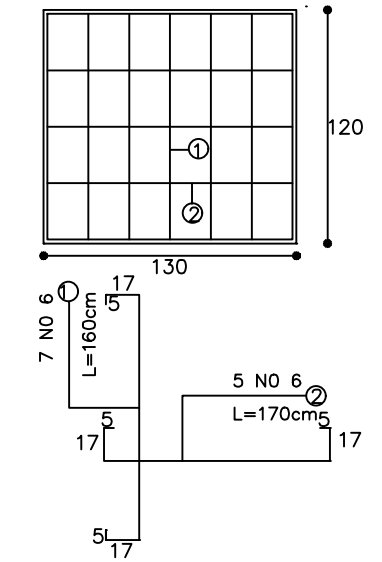
Stand Tap Plan



Section D – D (with outstone)



salab steel



	SURVEYED BY	Eng.Noor Wali & Eng Hidayatullah Sadiq	CHECKED BY	Eng Mojeeb Rahman	SCALE	Custom	SHEET NO. 15/15	PROVINCE	Balkh	PROJECT NAME ICRA/PEARL DRAWING TITLE: Update Drawing of Pipe Scheme Project
	DESIGNED BY	Eng.Noor Wali & Eng Hidayatullah Sadiq	REVIEWED BY	NCA Engineering Team	DATE	23/09/2023		DISTRICT	Chamtal	
	DRAWN BY	Eng.Noor Wali & Eng Hidayatullah Sadiq	APPROVED BY	NCA Engineering Team	DRAWING NO.	7		VILLAGE	Jare Qala Afghania	