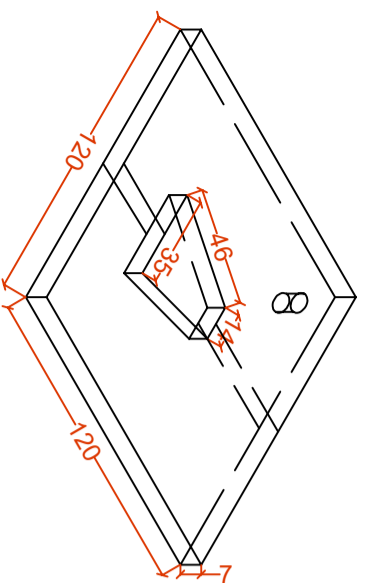
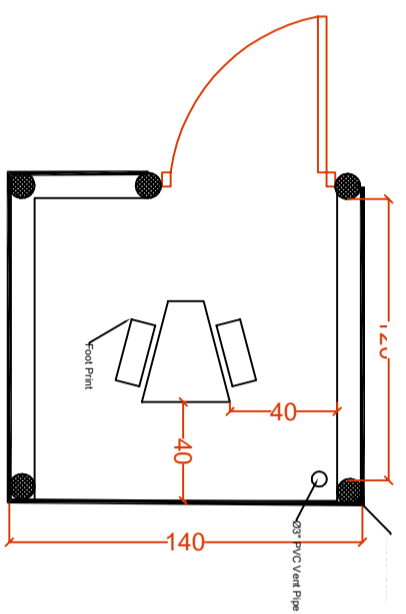


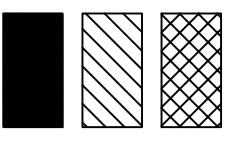
Front View



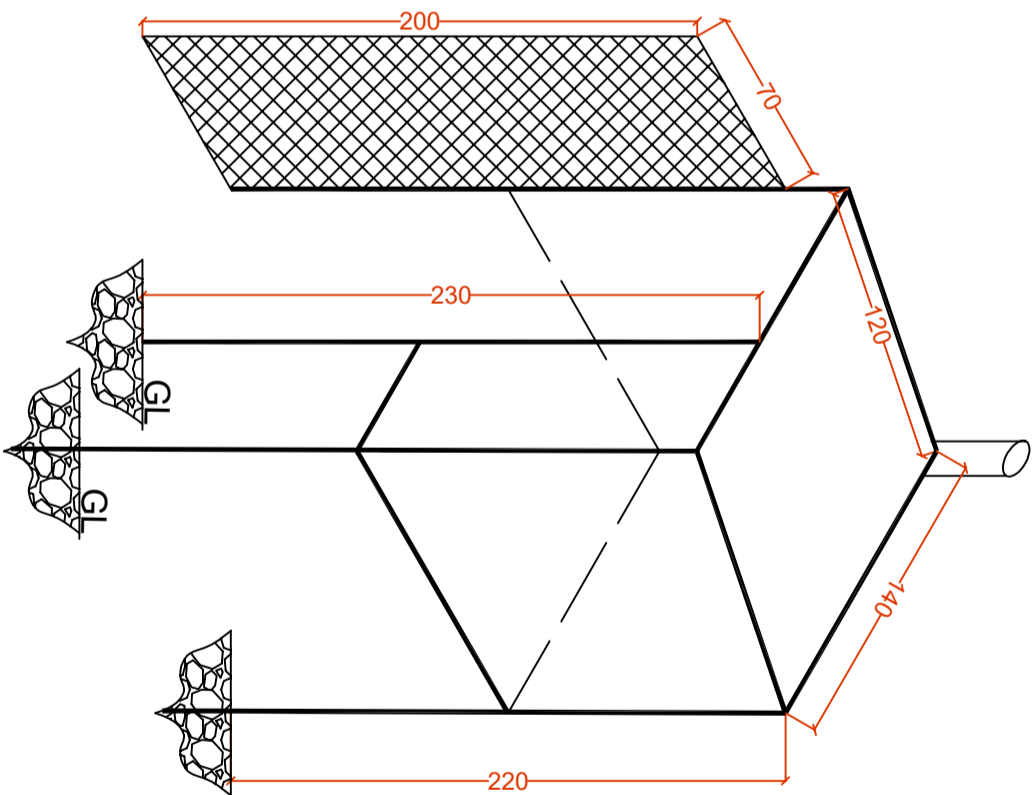
PCC Slab Plan



Toilet Plan



Gem Made in American that its not effected by sun shine
 Wooden tress and beam in circular type
 Roof iron cover Guage 24



Wooden Beam Riser Diagram

- General Note.**
1. The precast toilet should be placed in proper location of houses.
 2. The seepage pits depth is varied according to ground water level and ground layers types.
 3. All the wooden beam should be in circular shape and its size should not be 10cm.
 4. The foundation for 4 columns should be excavated up to 40cm depth and it should be failed with large stone boulder.
 5. The wooden truss and beam should be joint with each other by nail.



Remarks

PROJECT NAME :
 Charahie Kerab
 Drilling of 180m water well with all of its pipes, fittings, pumps and power system

DRAWING TITLE
 Potable Water Well Diagram

DWG NUMBER
 (W-01)

Zone#2 (Well# 1)Charahie Kerab,
 Alshar Seelo Street

Draft, Designed & Drawn By
 Eng.Besrillah (Aruby)

APPROVED BY INDEX

SCALE(NTS) DATE:Nov 2021