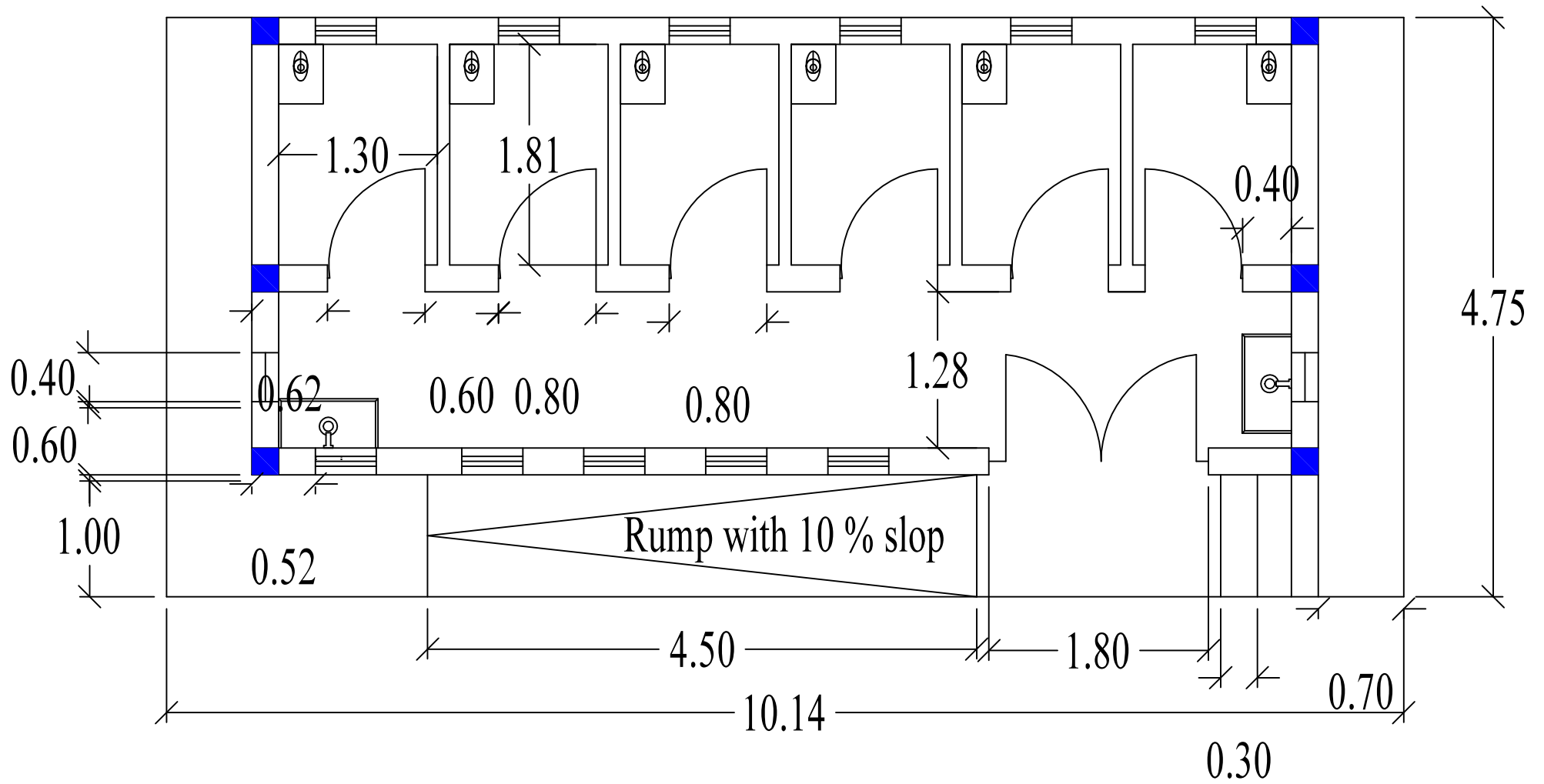
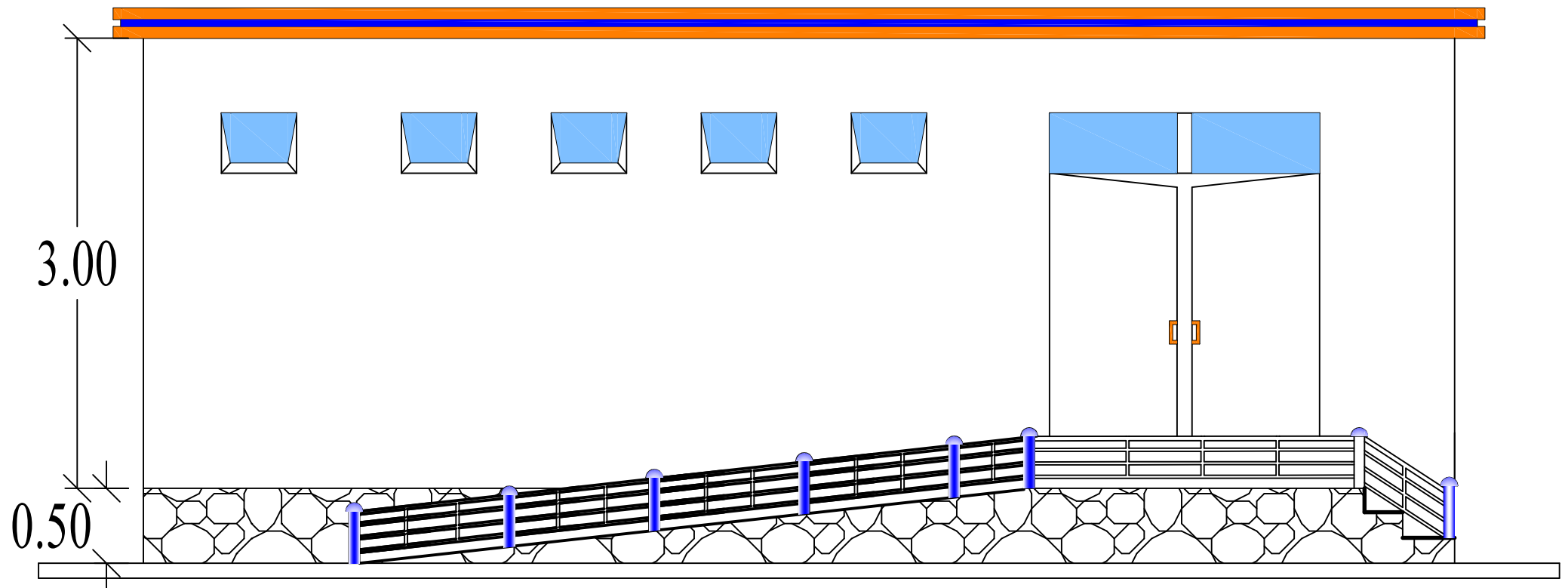


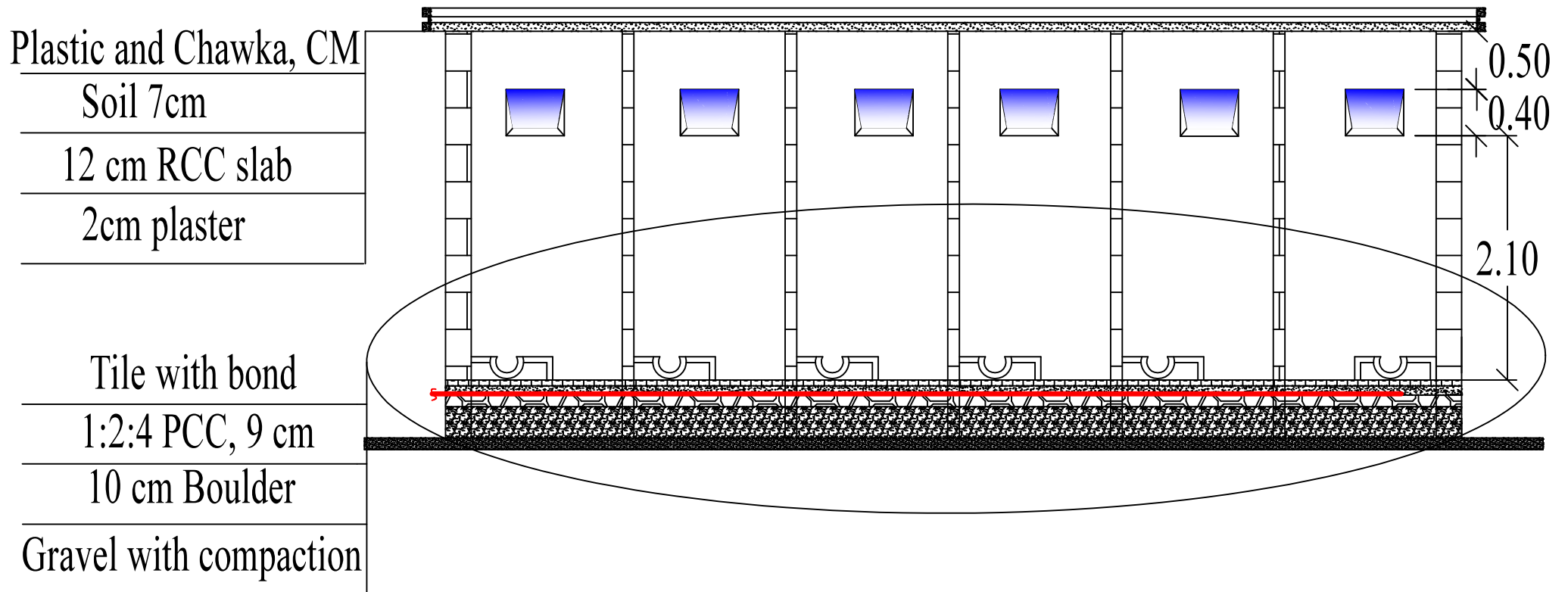
Latrine block Plan .



Latrine block front view.



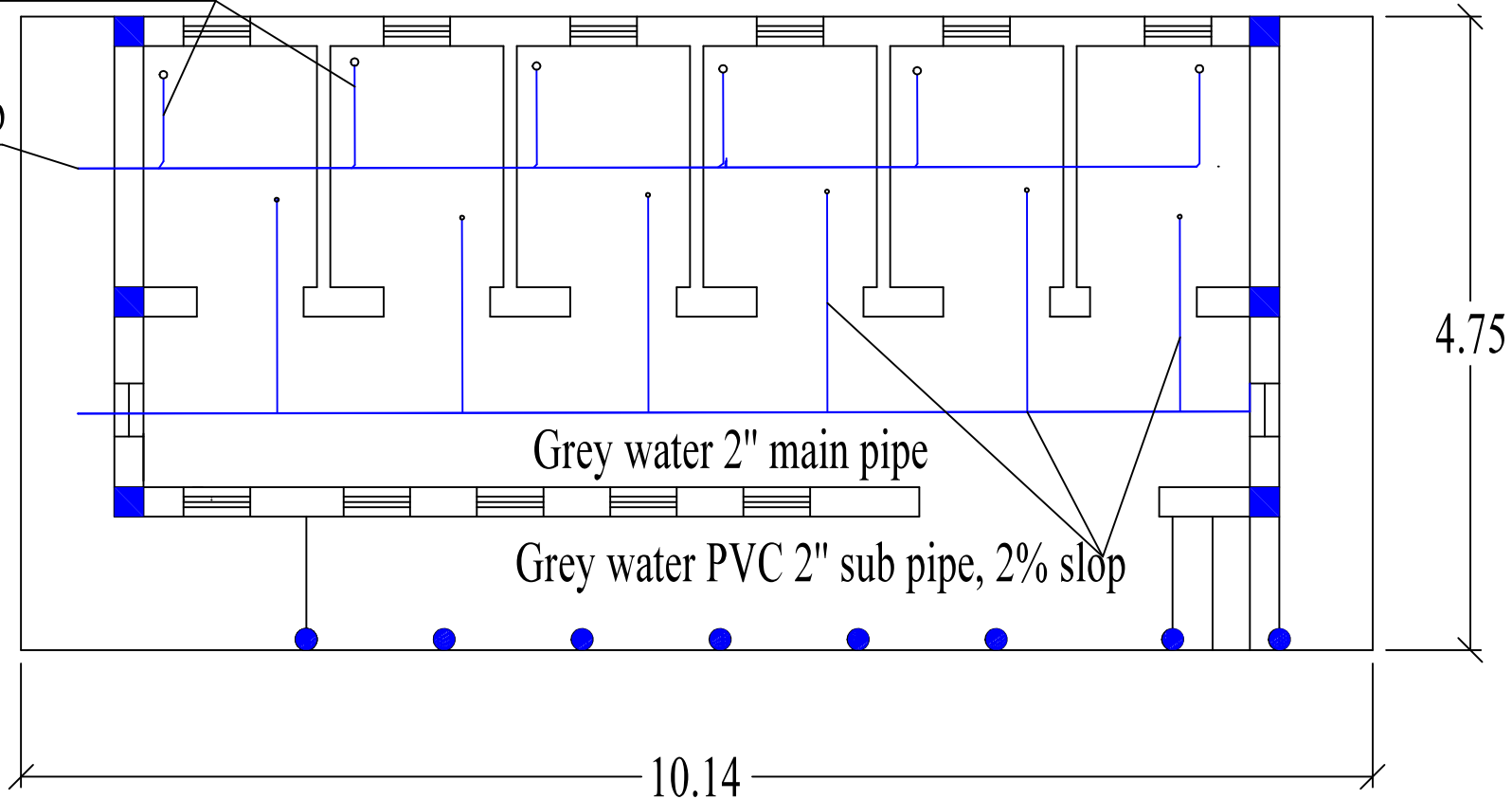
Latrine block front view.



Plumbing Plan

PVC 3" sub pipes

pvc 5" wc main pipe, 3% slop



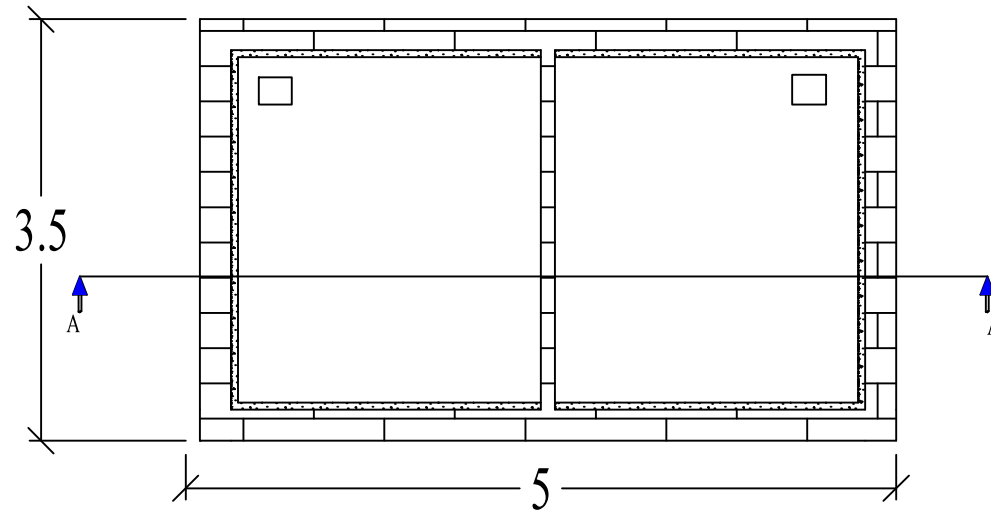
4.75

Grey water 2" main pipe

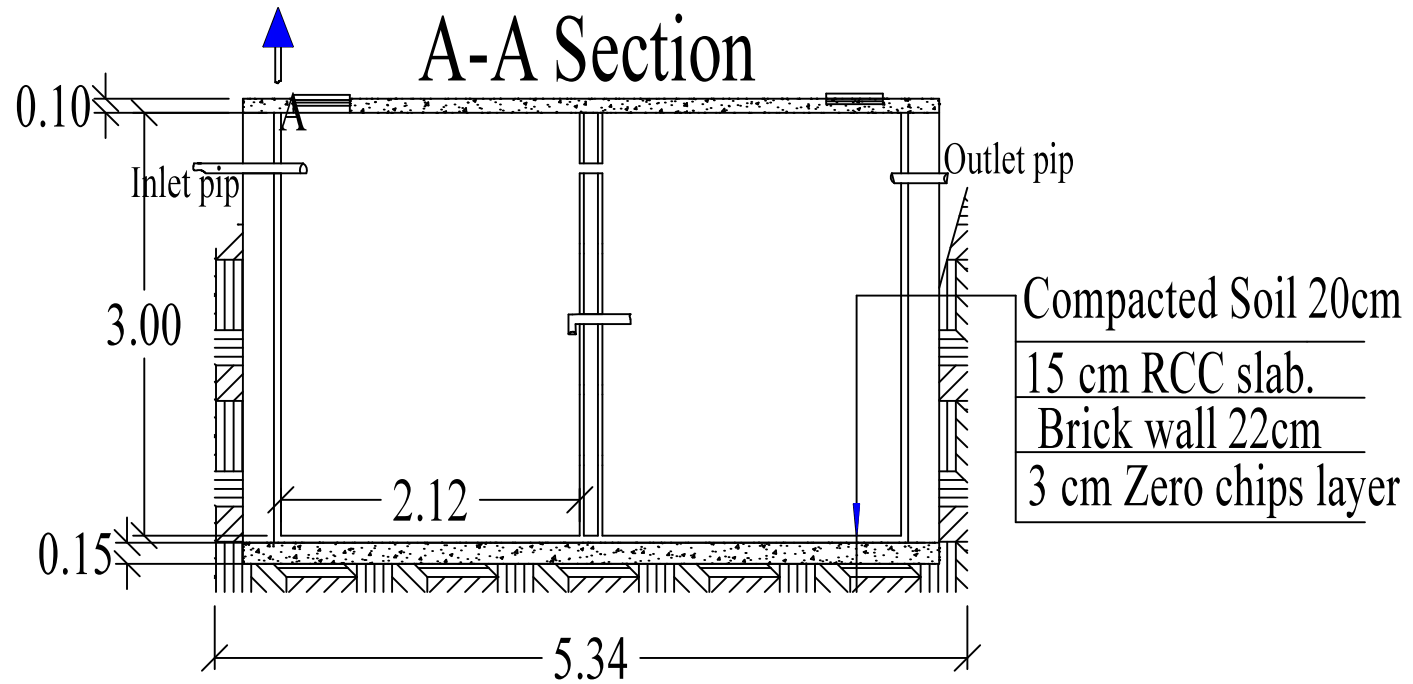
Grey water PVC 2" sub pipe, 2% slop

10.14

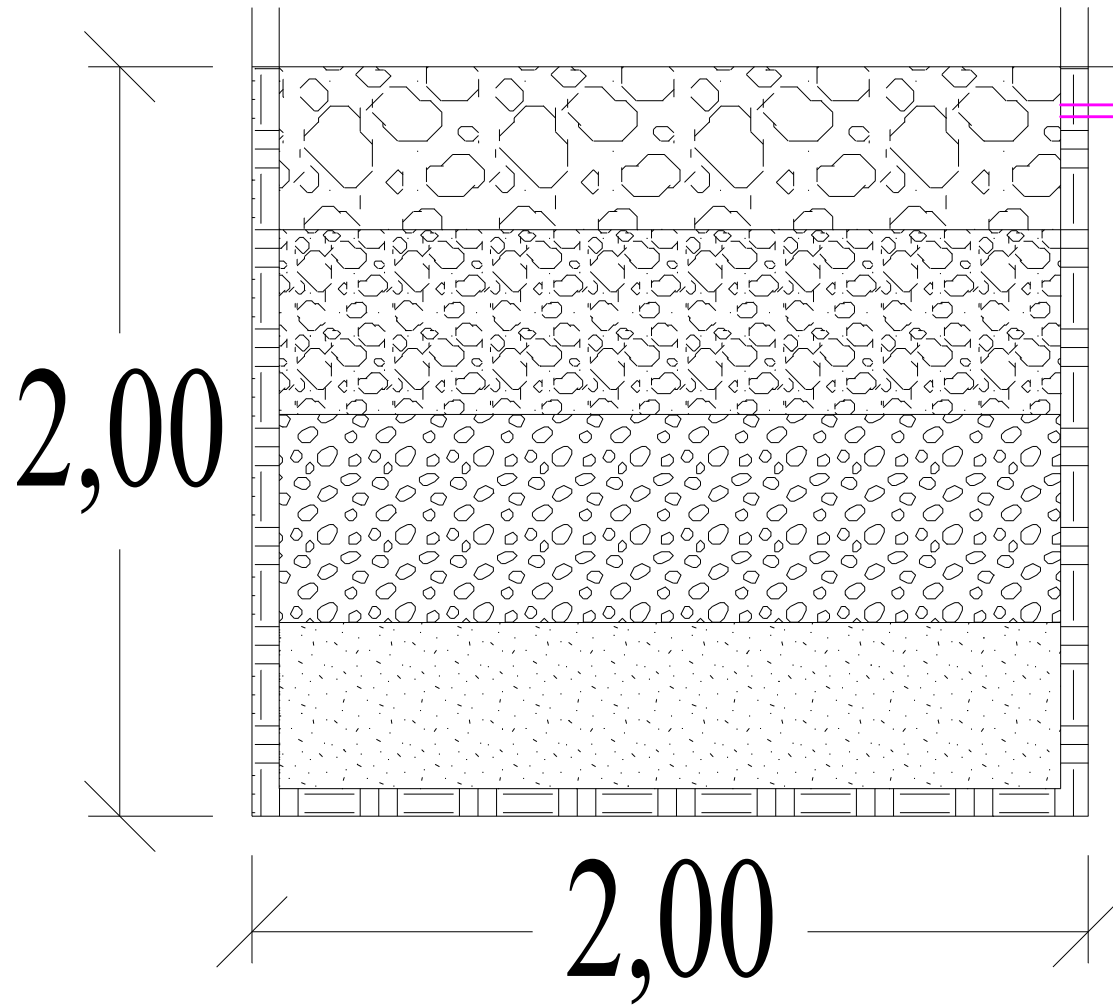
plan for Septic tank



A-A Section



Soaket pit section.



PVC pipe for Grey wter T.

10 cm Boulder

5 cm gravel pack

2-3 cm Gravel

mm, Sand